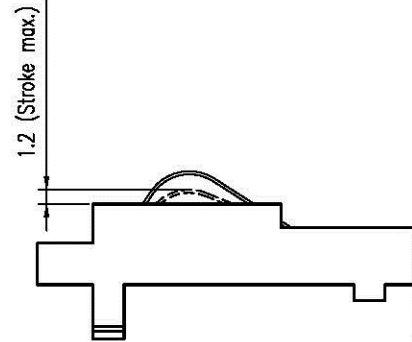
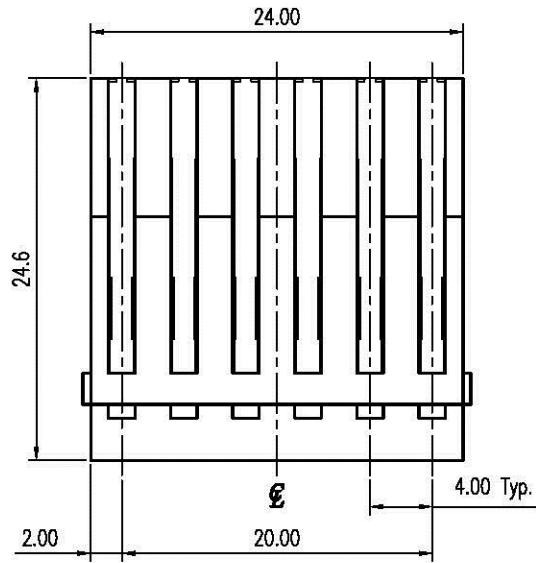
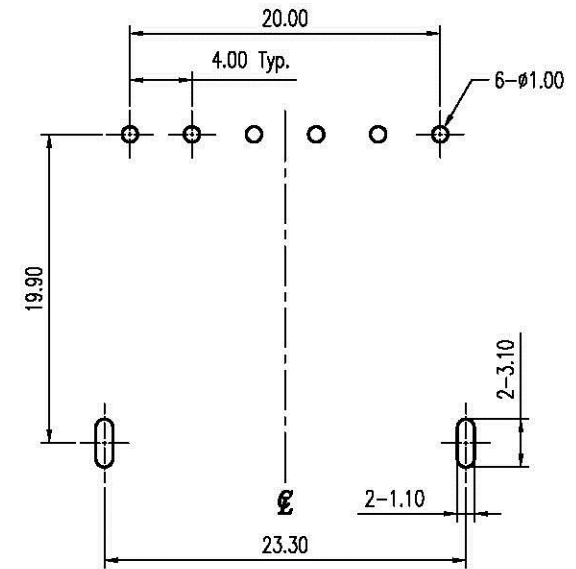
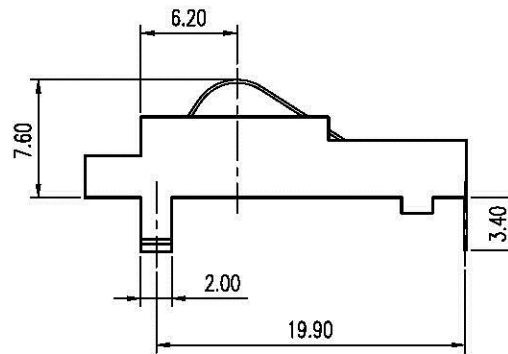
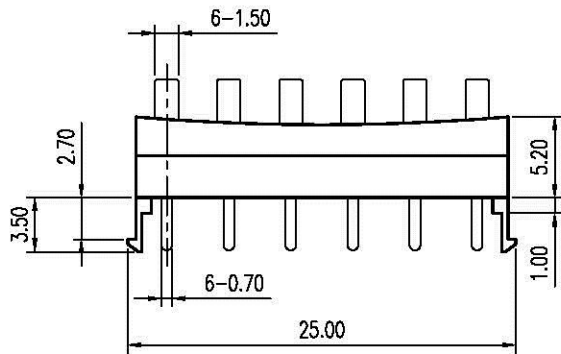


REV.	DESCRIPTION	ECN NO.	DATE	DRAWER
A	New Release		04/06/2004	Kelly
B	Modified Part Number	EC0601006	01/05/2006	Aaron



Notes:

- Material :
Housing : Thermoplastic UL 94V-0 , Black
Terminal : Copper Alloy
- Finish :
Terminal : 2u"Min. Gold on Contact Area, Gold Flash on Solder Tails, Both over 50u" Min. Ni Under-plated Overall
- Order Information :
T SC0-01106-00Y2
T : RoHS(for High Temperature)



Recommended P.C.B. Layout
Layout Tolerance = ± 0.05 mm

DIMENSION IN mm [inch]		All Connectors	Title 4.0mm Battery Conn. Female Series	Scale: 2 : 1	
Tolerance unless otherwise specified					Dwg No. TSC0-01106-00Y2
X.	X.' ± 10'	www.allconnectors.com info@allconnectors.com Tel: 0489 731 7062/3 Fax: 0489 731 7062/3 70704 Tullahoma - Germany Kellerstraße 25	File No. PO5013	Rev : B	
X.X ± 0.38	X.X' ± 5'		CUSTOMER DRAWING		
X.XX ± 0.25	X.XX' ± 2'		Approver:	Checker:	Drawer: Aaron
X.XXX ± 0.13	X.XXX' ±				01/05/2006