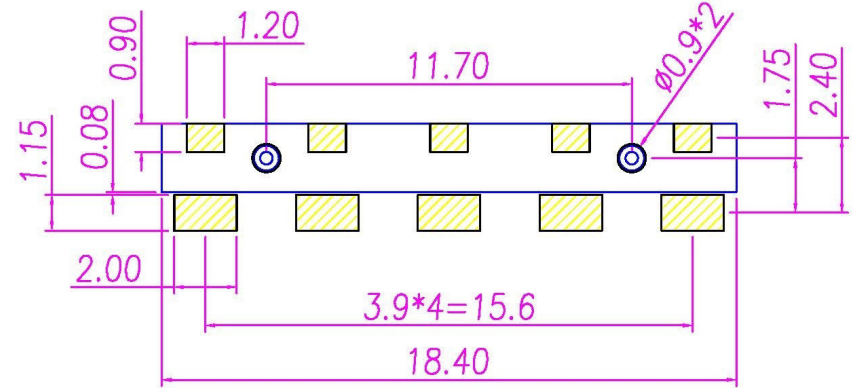
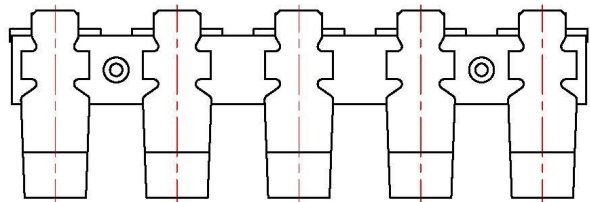
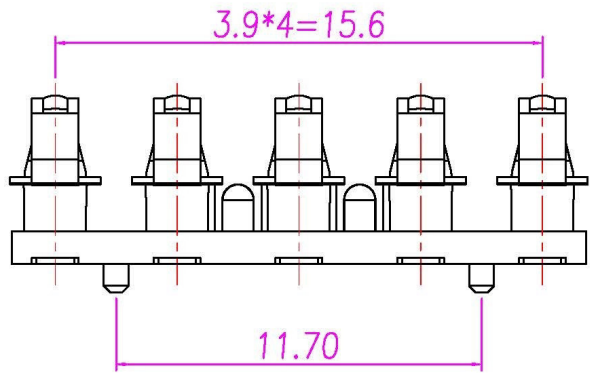
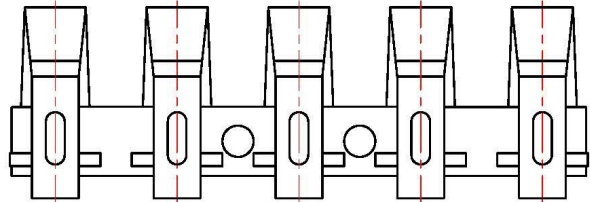


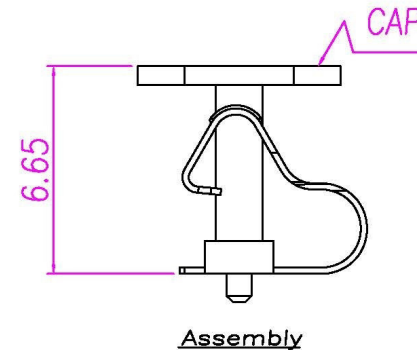
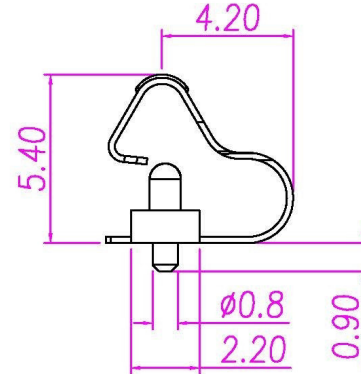
This document is the property of Nian-Yeong Corporation and is delivered on the express condition that it is not to be disclosed, reproduced or used, in whole or in part, for manufacture or sale by anyone other than Nian-Yeong Corporation without its prior consent, and that no right is granted to disclose or to use any information in this document.

CUSTOMER DRAWING

REV.	DESCRIPTION	APPROVED BY	DATE	ECN NO.
A	RELEASE	Fido Weng	15/10/09*	
B				
C				



RECOMMEND P.C.B LAYOUT



- MATERIAL :
 - 1-1. HOUSING : LCP UL94V-0 ; COLOR : BLACK
 - 1-2. CONTACT : BERYLLIUM COPPER
 - 1-3. CAP : LCP
- FINISH :
 - 2-1. CONTACT : GOLD 30u" ON CONTACT AERA
BRIGHT TIN ON SODER AERA
UNDER PLATE : NICKEL

DRAWN	Yeh	APP'D	UNIT	mm	TOLERANCE		TITLE	5P 0.5mm (H=5.4mm)			SHEET		
CHK'D			SCALE	1:1	.x ±0.10 .xx ±0.05 .xxx ±0.03 .xxxx ±0.01 ANGULA ±1°		www.allconnectors.de Tel.: 0049 711 7009503 70794 Filderstadt - Germany	info@allconnectors.de Fax: 0049 711 7009504 Kettnerstr. 25	PART NO.	HO-05F2-02	DWG NO.	QC4450	VERSION