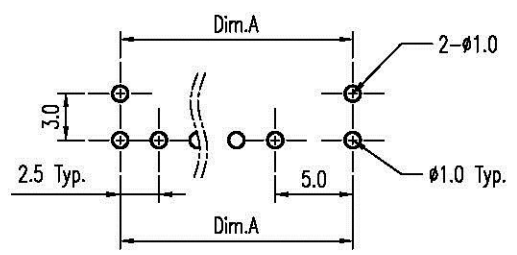
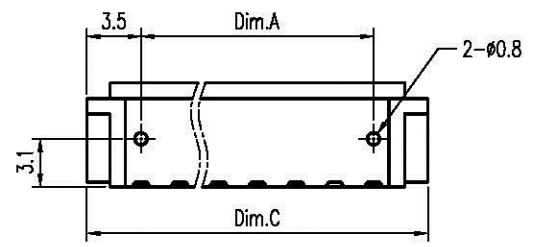
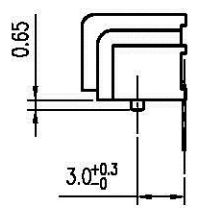
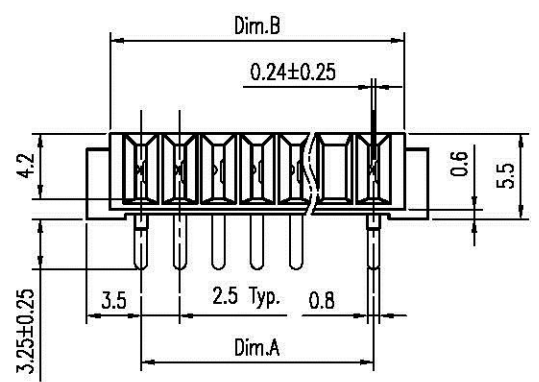
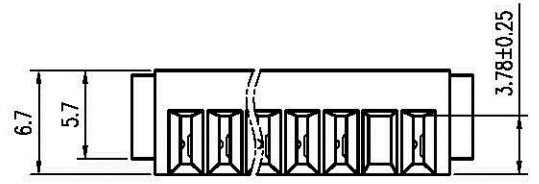


| REV. | DESCRIPTION | ECN NO. | DATE       | DRAWER |
|------|-------------|---------|------------|--------|
| A    | New Release |         | 09/08/2005 | Alan   |



Recommended P.C.B. Layout  
Layout Tolerance = ± 0.05 mm

- Notes:
- Material :  
Housing : Thermoplastic UL 94V-0 , Black  
Terminal : Copper Alloy
  - Finish :  
Terminal : Selected Gold on Contact Area, Gold Flash on Solder Tails, Both over 50u" Min. Ni Under-plated Overall
  - Order Information :  
X SBO-051 X 4-10T X
- T : RoHS(For High Temperature)  
Blank : Unsuitable RoHS
- Amount of Pins  
3 : 3 Pins  
s : s  
A : 10 Pins
- Plating  
2 : 2u" Min. Gold on Contact Area  
3 : 5u" Min. Gold on Contact Area

| Part No.        | Dim. | Dim.A | Dim.B | Dim.C |
|-----------------|------|-------|-------|-------|
| XSBO-05134-10TX |      | 7.5   | 11.5  | 14.5  |
| XSBO-05144-10TX |      | 10.0  | 14.0  | 17.0  |
| XSBO-05154-10TX |      | 12.5  | 16.5  | 19.5  |
| XSBO-05164-10TX |      | 15.0  | 19.0  | 22.0  |
| XSBO-05174-10TX |      | 17.5  | 21.5  | 24.5  |
| XSBO-05184-10TX |      | 20.0  | 24.0  | 27.0  |
| XSBO-05194-10TX |      | 22.5  | 26.5  | 29.5  |
| XSBO-051A4-10TX |      | 25.0  | 29.0  | 32.0  |

| DIMENSION IN mm [inch]               |        | All Connectors |       |
|--------------------------------------|--------|----------------|-------|
| Tolerance unless otherwise specified |        |                |       |
| X.                                   | ± 0.38 | X.'            | ± 10' |
| X.X                                  | ± 0.25 | X.X'           | ± 5'  |
| X.XX                                 | ± 0.13 | X.XX'          | ± 2'  |
| X.XXX                                | ±      | X.XXX'         | ±     |

|                  |                                       |              |
|------------------|---------------------------------------|--------------|
| Title            | 2.5mm Pitch Battery Conn. Female Type |              |
| Dwg No.          | XSBO-051X4-10TX                       |              |
| CUSTOMER DRAWING |                                       | Scale: 2 : 1 |
| File No.         | N/A                                   | Size: A 4    |
| Apprver:         | Checker:                              | Rev : A      |
| Drawer: Alan     |                                       | Sheet: 1 / 1 |
|                  |                                       | 09/08/2005   |