

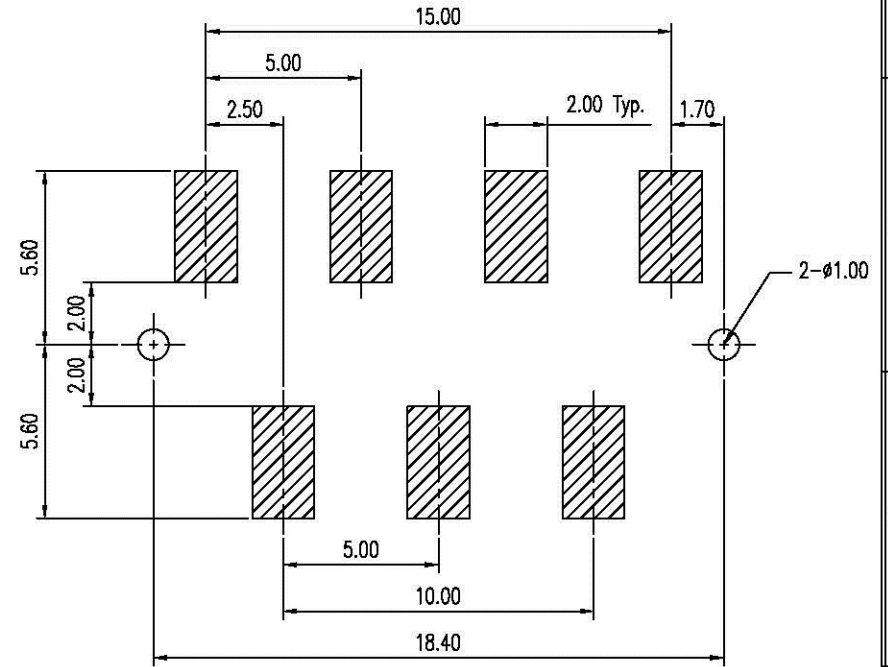
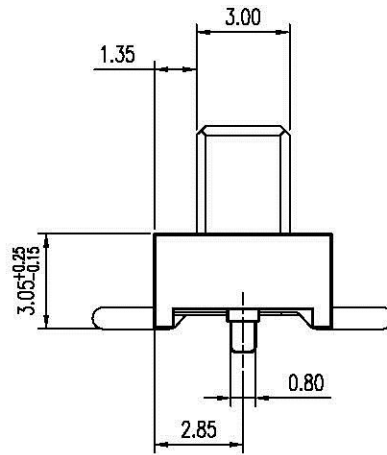
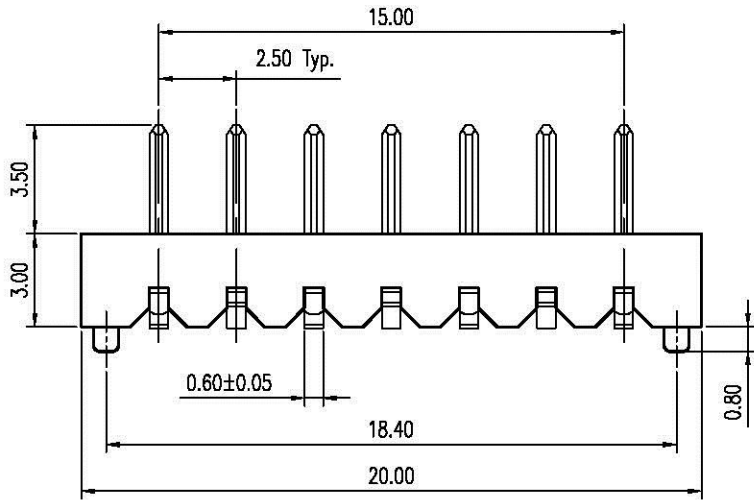
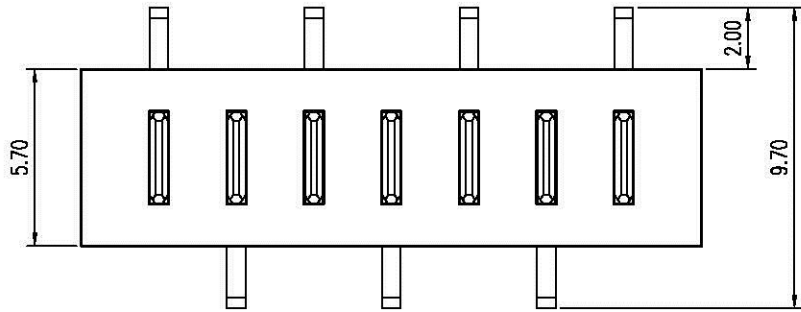
REV.	DESCRIPTION	ECN NO.	DATE	DRAWER
A	New Release		08/23/2007	Alan

Notes:

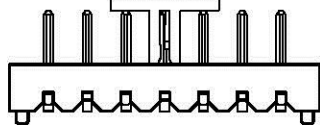
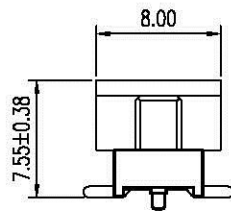
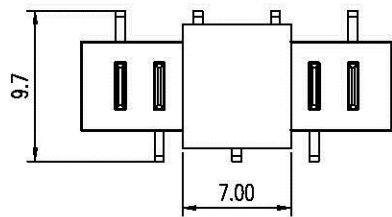
- Material :**
Housing : Thermoplastic UL 94V-0, Black
Terminal : Copper Alloy
- Finish :**
Terminal : Selected Gold on Contact Area, Gold Flash on Solder Tails, Both over 40u" Min. Ni Under-plated Overall
- Order Information :**

TSB1-1507A-00 X X

Packing	Plating
T : Tube	2 : 2u" Min. Gold
1 : Cap + Tube	3 : 5u" Min. Gold
2 : Cap + Reel	



Recommended P.C.B. Layout
Layout Tolerance = ± 0.05 mm



With Cap

DIMENSION IN mm [inch]			
Tolerance unless otherwise specified			
X.	±	X.'	± 10'
X.X	± 0.38	X.X'	± 5'
X.XX	± 0.25	X.XX'	± 2'
X.XXX	± 0.13	X.XXX'	±

All Connectors

www.allconnectors.de
Tel.: 0644 211 7039508
70734 Albstadt-Ebingen, Germany
info@allconnectors.de
Fax: 0644 211 7039504
Kontakt@ac.de

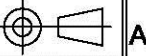
CUSTOMER DRAWING

Approver:

Checker:

Drawer: **Alan**

08/23/2007



Scale: 4 : 1

Size: A 4

Rev : A

Sheet: 1 / 1