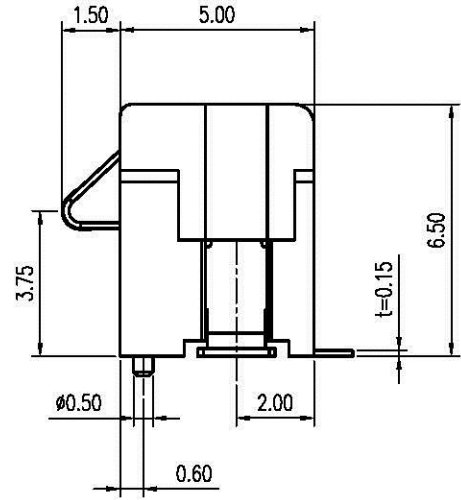
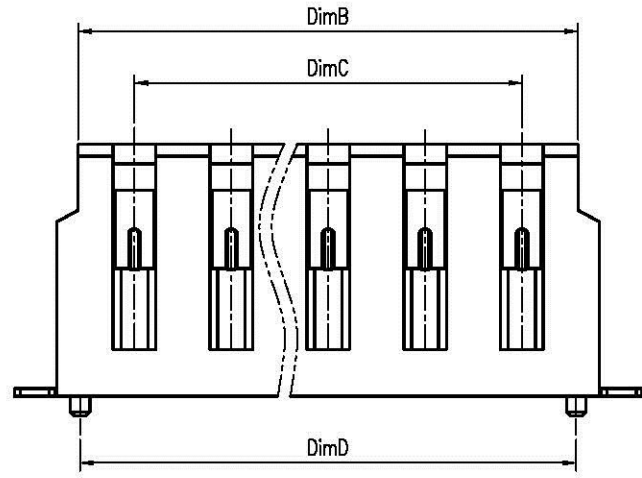
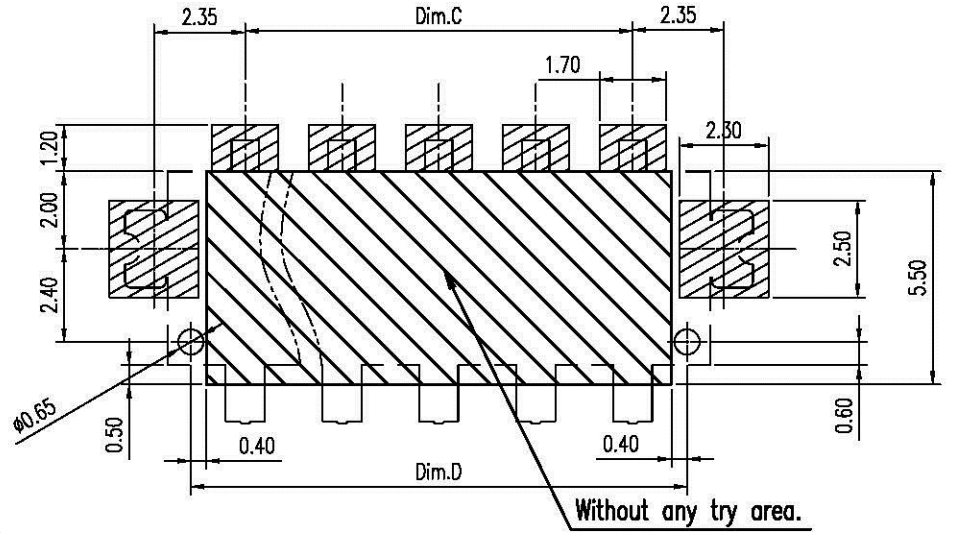
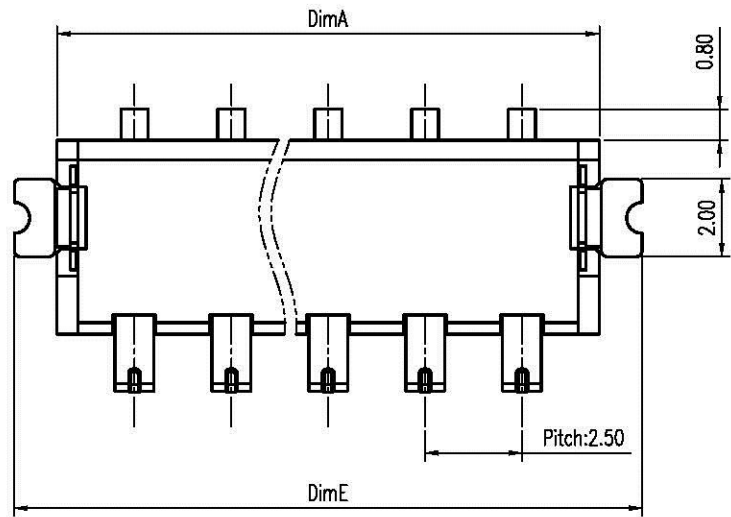


REV.	DESCRIPTION	ECN NO.	DATE	DRAWER
A	New Release		06/20/2007	Gear



- Notes:**
- Material :**
 Housing : Thermoplastic UL 94V-0 , Black
 Terminal : Copper Alloy
 Latch : Copper Alloy
 - Finish :**
 Terminal : Selected Gold on Contact Area, Gold Flash on Solder Tails, Both over 50u" Min. Ni Under-plated Overall
 Latch : Tin Plating overall 50u" Min., Nickel 50u" Min. Under-plated Overall.
 - Order Information :**
 T SB1-131 X 0-00T X
- | Amount of Pins | Plating |
|----------------|-------------------------------------|
| 3 : 3 Pins | 1 : Gold Flash on Contact Area. |
| s | 2 : 2u" Min. Gold on Contact Area. |
| 8 : 8 Pins | 3 : 5u" Min. Gold on Contact Area. |
| | 5 : 15u" Min. Gold on Contact Area. |
| | 8 : 30u" Min. Gold on Contact Area. |

Dimension Information:

Part No.	Dim.	Dim.A	Dim.B	Dim.C	Dim.D	Dim.E
TSB1-13130-00TX		9.00	7.90	5.00	7.80	11.20
TSB1-13140-00TX		11.50	10.40	7.50	10.30	13.70
TSB1-13150-00TX		14.00	12.90	10.00	12.80	16.20
TSB1-13160-00TX		16.50	15.40	12.50	15.30	18.70
TSB1-13170-00TX		19.00	17.90	15.00	17.80	21.20
TSB1-13180-00TX		21.50	20.40	17.50	20.30	23.70

DIMENSION IN mm [inch] Tolerance unless otherwise specified			Title 2.5mm Pitch Battery Conn. Male Type		
X.	± 0.30		X.'	± 10'	
X.X	± 0.20	X.X'	± 5'	CUSTOMER DRAWING	
X.XX	± 0.15	X.XX'	± 2'		
X.XXX	±	X.XXX'	±		
Approver:		Checker:		Drawer: Gear	
				Date: 06/20/2007	
				Sheet: 1 / 1	