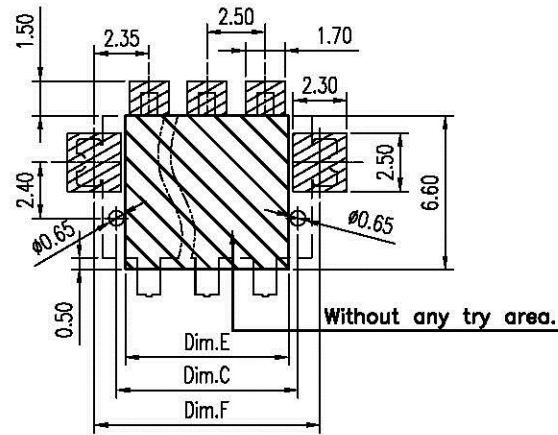
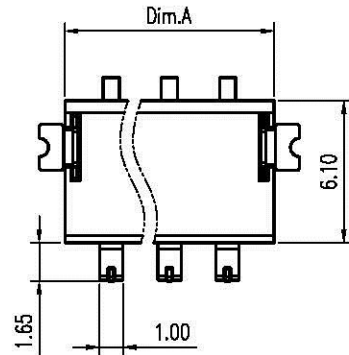


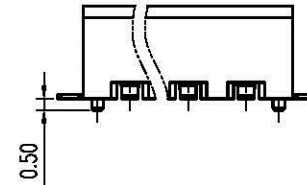
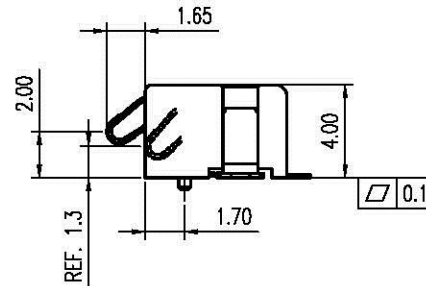
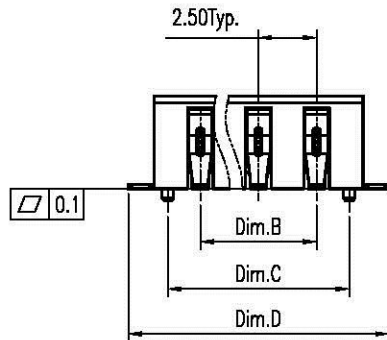
REV.	DESCRIPTION	ECN NO.	DATE	DRAWER
A	New Release		03/20/2007	Gear
B	Modified Dimension	EC0705028	05/18/2007	Gear

Recommended P.C.B Layout for Component Side.  
P.C.B Thickness = 1.00mm ± 0.05



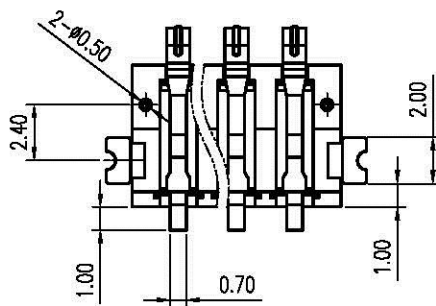
Notes:

- Material :  
Housing : Thermoplastic UL 94V-0 , Black  
Terminal : Copper Alloy  
Latch : Copper Alloy
  - Finish :  
Terminal : Selected Gold on Contact Area, Gold Flash on Solder Tails, Both over 50u" Min. Ni Under-plated Overall  
Latch : Tin Plating overall 50u" Min., Nickel 50u" Min. Under-plated Overall.
  - Order Information :  
T SB1-130 X 0-00T X
- | Amount of Pins | Plating                             |
|----------------|-------------------------------------|
| 3 : 3 Pins     | 1 : Gold Flash on Contact Area.     |
| 5 : 5 Pins     | 2 : 2u" Min. Gold on Contact Area.  |
| 8 : 8 Pins     | 3 : 5u" Min. Gold on Contact Area.  |
|                | 5 : 15u" Min. Gold on Contact Area. |
|                | 8 : 30u" Min. Gold on Contact Area. |



Dimension Information:

Part No.	Dim.	Dim.A	Dim.B	Dim.C	Dim.D	Dim.E	Dim.F
TSB1-13030-00TX		9.00	5.00	7.80	11.20	7.00	9.70
TSB1-13040-00TX		11.50	7.50	10.30	13.70	9.50	12.20
TSB1-13050-00TX		14.00	10.00	12.80	16.20	12.00	14.70
TSB1-13060-00TX		16.50	12.50	15.30	18.70	14.50	17.20
TSB1-13070-00TX		19.00	15.00	17.80	21.20	17.00	19.70
TSB1-13080-00TX		21.50	17.50	20.30	23.70	19.50	22.20



DIMENSION IN mm [inch]	
Tolerance unless otherwise specified	
X. ± 0.30	X.' ± 10'
X.X ± 0.20	X.X' ± 5'
X.XX ± 0.15	X.XX' ± 2'
X.XXX ±	X.XXX' ±

Allconnectors.de

www.allconnectors.de  
info@allconnectors.de  
TEL: 0049 411 3089404  
FAX: 0049 411 3089404  
70748 Rillried (Germany)  
Kontaktieren Sie uns

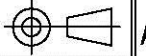
CUSTOMER DRAWING

Approver:

Checker:

Drawer: Gear

05/18/2007



Title 2.5mm Pitch Battery Conn.  
Male Type

Dwg No. TSB1-130X0-00TX

File No. PO6031

Scale: 3 : 1

Size: A 4

Rev : B

Sheet: 1 / 1