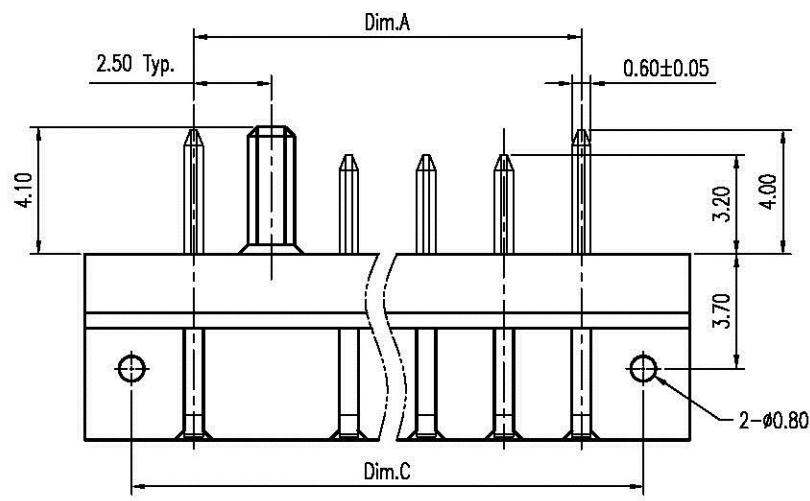
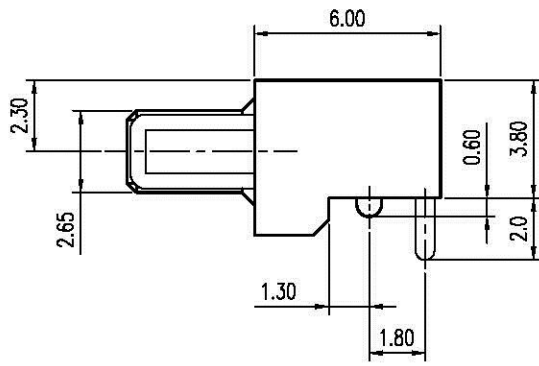
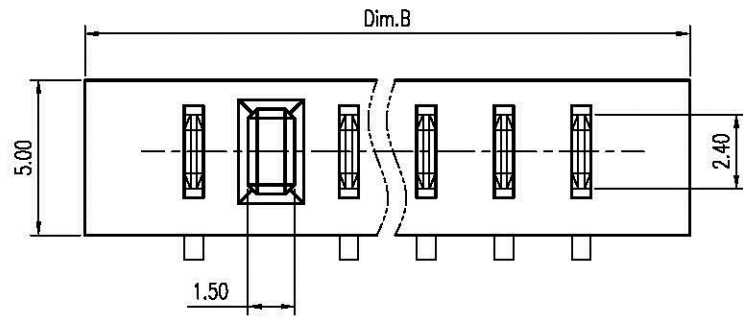


REV.	DESCRIPTION	ECN NO.	DATE	DRAWER
A	New Release		11/24/2008	Steven



Notes:

1. Material :
Housing : Thermoplastic UL 94V-0 ,Black
Terminal : Copper Alloy
2. Finish :
Terminal : 5u" Min. Gold on Contact Area,
G/F on Solder Tails, Both over
50u" Min. Ni Under-plated Overall
3. Order Information :

TSB1-102 X 4-03 X 3A

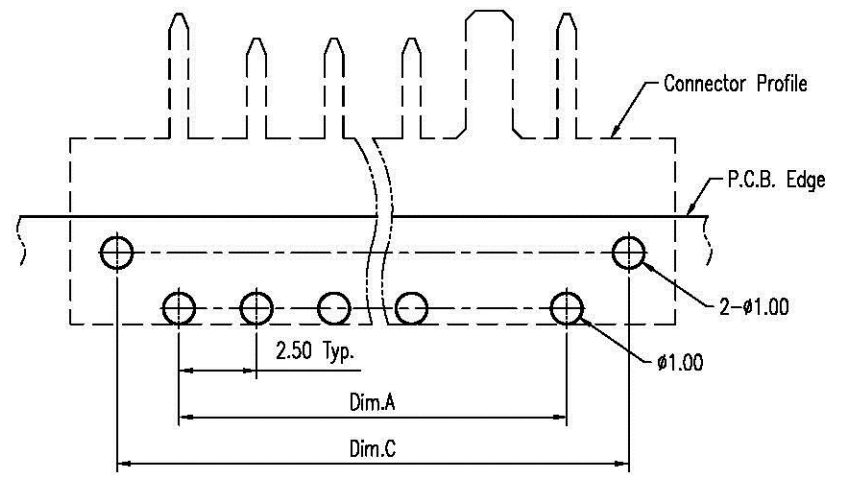
T: RoHS(for High Temperature)

Amount of Pins:

- 3: 3Pins
- 2 2
- 9: 9Pins
- A: 10Pins

Packing Option:

- T: Tube
- R: Taping & Reel (For TSB1-10254-03R3 Series)



Recommended P.C.B. Layout
Layout Tolerance = ± 0.05 mm

Dimension Information:

Part No.	Dim.	Amount of Pins	Dim.A	Dim.B	Dim.C
TSB1-10234-03X3A	3	3	7.50	14.50	11.50
TSB1-10244-03X3A	4	4	10.00	17.00	14.00
TSB1-10254-03X3A	5	5	12.50	19.50	16.50
TSB1-10264-03X3A	6	6	15.00	22.00	19.00
TSB1-10274-03X3A	7	7	17.50	24.50	21.50
TSB1-10284-03X3A	8	8	20.00	27.00	24.00
TSB1-10294-03X3A	9	9	22.50	29.50	26.50
TSB1-102A4-03X3A	10	10	25.00	32.00	29.00

DIMENSION IN mm [inch]			Title 2.5mm Pitch Battery Conn. Male Type		
Tolerance unless otherwise specified			Dwg No. TSB1-102X4-03X3A	Scale: 4 : 1	
X.	X.' ± 10'	CUSTOMER DRAWING		File No. PO4001	Size: A 4
X.X ± 0.38	X.X' ± 5'	Approver:	Checker:	Drawer: Steven	Rev : A
X.XX ± 0.25	X.XX' ± 2'			11/24/2008	Sheet: 1 / 1
X.XXX ± 0.13	X.XXX' ±				