

REV.	DESCRIPTION	ECN NO.	DATE	DRAWER
A	New Release		11/24/2004	Tom
B	Modified Part Number	EC0706042	06/21/2007	Kelly

**Notes:**

- Material :  
Housing : Thermoplastic UL 94V-0 ,Black  
Terminal : Copper Alloy
- Finish :  
Terminal : 5u" Min. Gold on Contact Area,  
G/F on Solder Tails, Both over  
50u" Min. Ni Under-plated Overall
- Order Information :

TSB1-102 X 4-03 X 3

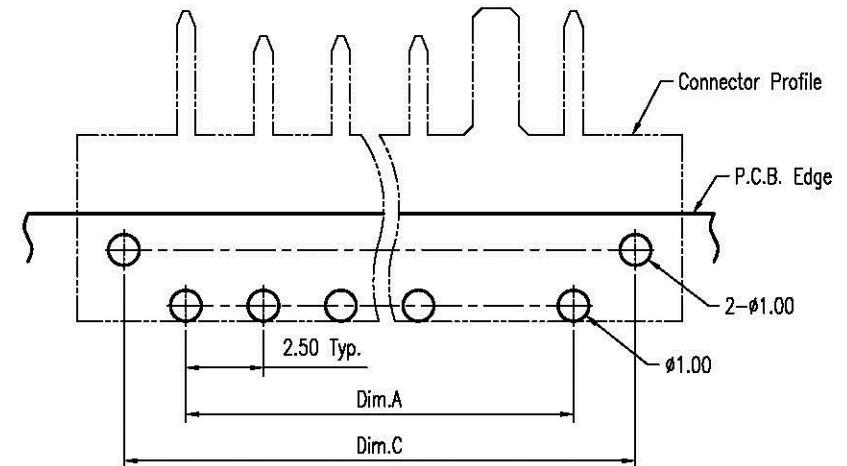
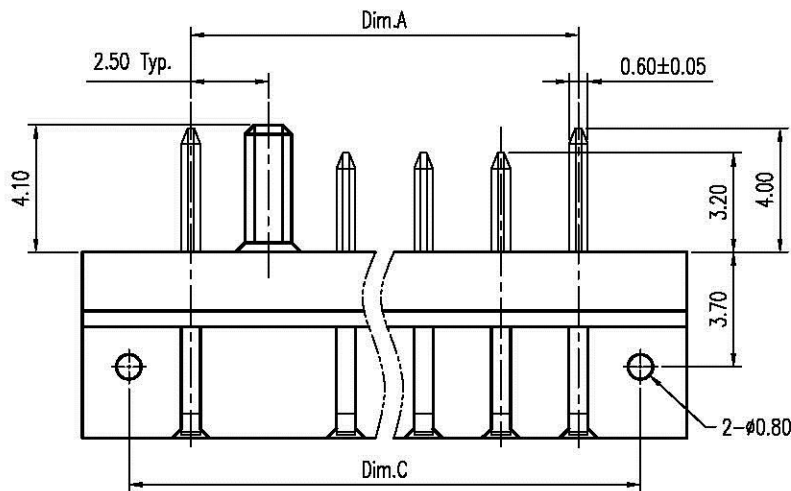
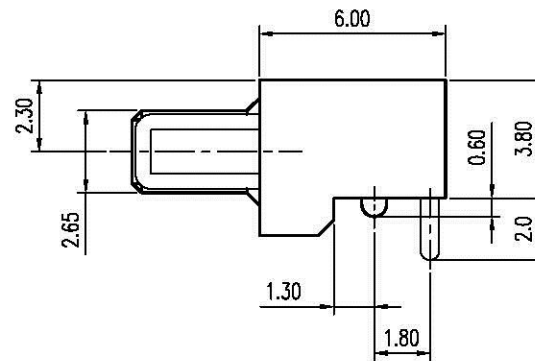
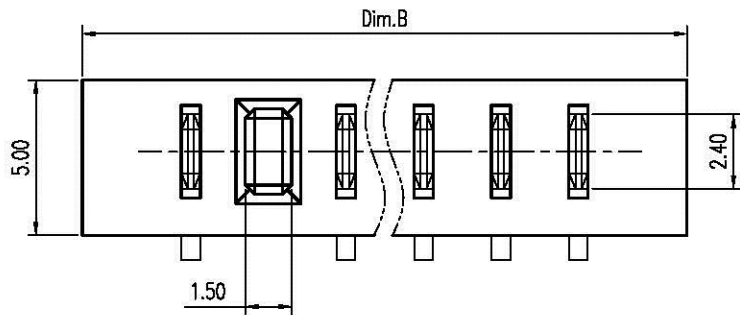
T: RoHS(for High Temperature)

**Amount of Pins:**

- 3: 3Pins  
2: 2  
9: 9Pins  
A: 10Pins

**Packing Option:**

- T: Tube  
R: Taping & Reel



**Recommended P.C.B. Layout**  
Layout Tolerance = ± 0.05 mm

**Dimension Information:**

Part No.	Dim.	Amount of Pins	Dim.A	Dim.B	Dim.C
TSB1-10234-03X3	3	3	7.50	14.50	11.50
TSB1-10244-03X3	4	4	10.00	17.00	14.00
TSB1-10254-03X3	5	5	12.50	19.50	16.50
TSB1-10264-03X3	6	6	15.00	22.00	19.00
TSB1-10274-03X3	7	7	17.50	24.50	21.50
TSB1-10284-03X3	8	8	20.00	27.00	24.00
TSB1-10294-03X3	9	9	22.50	29.50	26.50
TSB1-102A4-03X3	10	10	25.00	32.00	29.00

DIMENSION IN mm [inch]	
Tolerance unless otherwise specified	
X.	X.' ± 10'
X.X ± 0.38	X.X' ± 5'
X.XX ± 0.25	X.XX' ± 2'
X.XXX ± 0.13	X.XXX' ±

**All Connectors**

www.allconnectors.de  
Tel: 0049 211 2009503  
70799 Filderstadt - Germany  
Info@allconnectors.de  
Fax: 0049 211 2007504  
katalog@allconnectors.de

**CUSTOMER DRAWING**

Approver:

Checker:

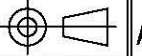
Drawer: **Kelly**

06/21/2007

Title **2.5mm Pitch Battery Conn. Male Type**

Dwg No. **TSB1-102X4-03X3**

File No. **PO4001**



Scale: **4 : 1**

Size: **A 4**

Rev : **B**

Sheet: **1 / 1**