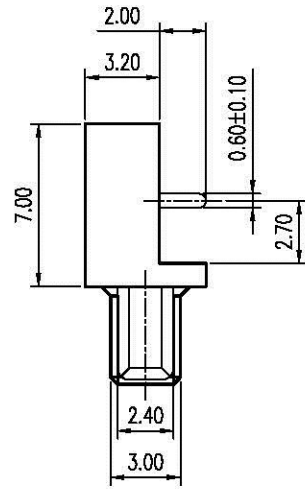
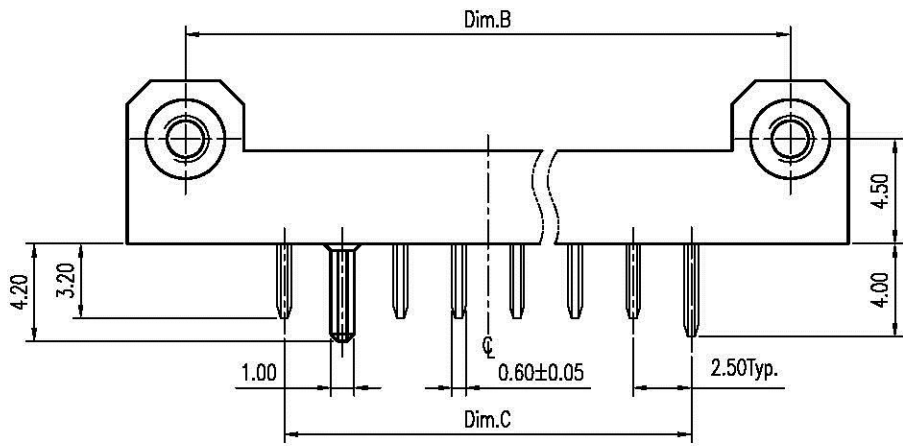
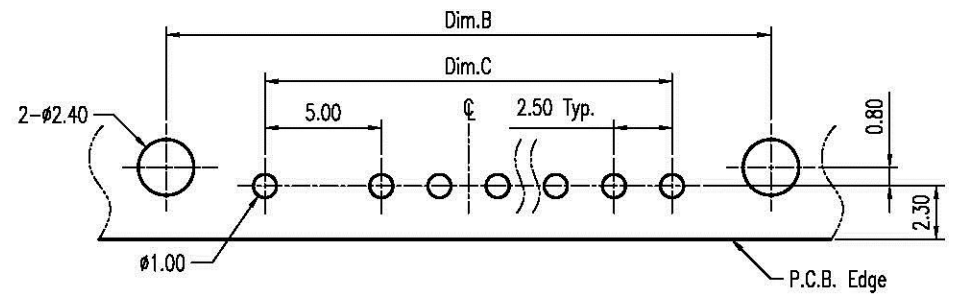
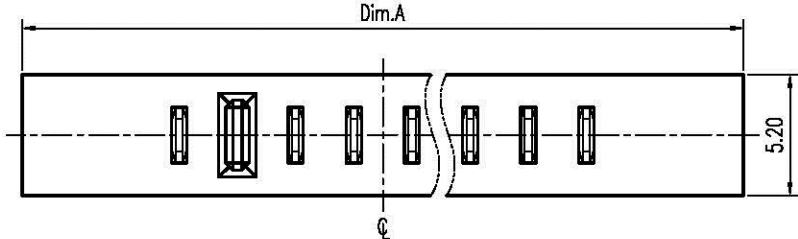


REV.	DESCRIPTION	ECN NO.	DATE	DRAWER
A	New Release		07/14/2010	Aaron



- Notes:**
- Material :  
Housing : Thermoplastic UL 94V-0, Black  
Terminal : Copper Alloy  
Nut : Copper Alloy
  - Finished :  
Terminal : Selected Gold on Contact Area, Gold Flash or 80u" Min. Tin. on Solder Tails, Both over 50u" Min. Ni Under-plated Overall  
Nut : 100u" Ni Overall
  - Order Information :  
SB1-092 X 2-02T X  
T : RoHS (for High Temperature)
- Amount of Pins**  
7 : 7 Pins  
8 : 8 Pins
- Plating**  
2 : 2u" Min. Gold on Contact Area , Gold Flash on Solder Tails  
3 : 5u" Min. Gold on Contact Area , Gold Flash on Solder Tails  
B : 2u" Min. Gold on Contact Area , 80 u" Min. Tin. on Solder Tails  
C : 5u" Min. Gold on Contact Area , 80 u" Min. Tin. on Solder Tails



**Dimension Information:**

Part No.	Dim.	Amount of Pins	Dim.A	Dim.B	Dim.C
TSB1-09272-02TX	7	7	31.00	26.00	17.50
TSB1-09282-02TX	8	8	33.50	28.50	20.00

**Recommended P.C.B. Layout**  
Layout Tolerance = ± 0.05 mm

DIMENSION IN mm [inch]		<b>All Connectors</b>		Title	2.5mm Pitch Battery Conn.		
Tolerance unless otherwise specified		www.allconnectors.de Tel.: 0049 711 7009033 70494 Hildersheim, Germany		Male Type			
X. ±	X.' ± 10'	in: @allconnectors.de Fax: 0049 711 7009034 Kontakt@ac.de		Dwg No.	TSB1-092X2-02TX	Scale: 3 : 1	
X.X ± 0.38	X.X' ± 5'	CUSTOMER DRAWING		File No.	PO3008	Size: A 4	
X.XX ± 0.25	X.XX' ± 2'			Appraver:	Checker:	Drawer: Aaron	Rev : A
X.XXX ± 0.13	X.XXX' ±					07/14/2010	Sheet: 1 / 1