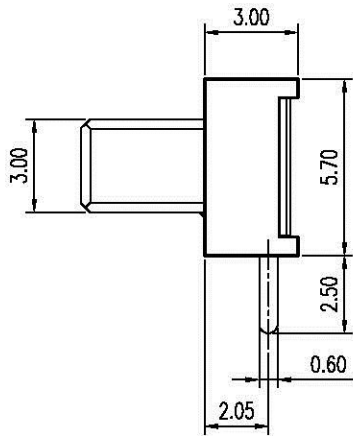
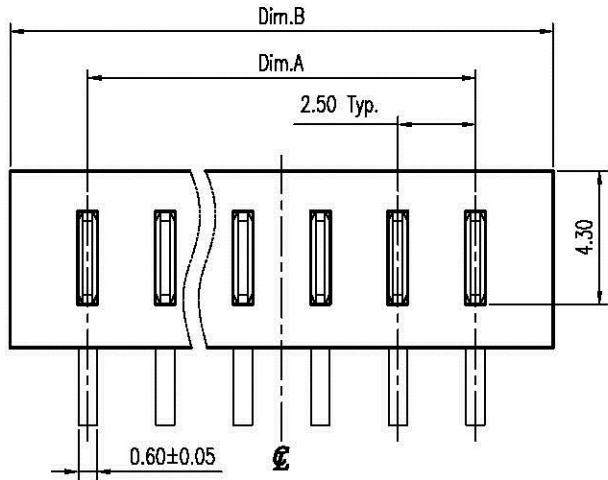
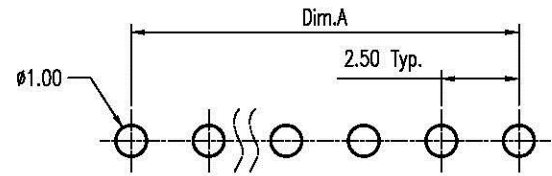
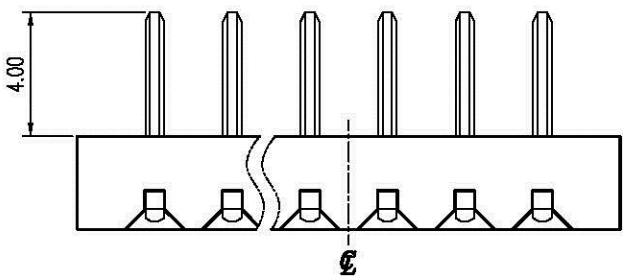


REV.	DESCRIPTION	ECN NO.	DATE	DRAWER
A	New Release		06/19/2008	Aaron



Notes:

- Material :
Housing : Thermoplastic UL 94V-0 , Black
Terminal : Copper Alloy
 - Finish :
Terminal : Selected Gold on Contact Area, Gold Flash on Solder Tails, Both over 50u" Min. Ni Under-plated Overall
 - Order Information :
SB1-080 X 3-06T X
T : RoHS(for High Temperature)
- Amount of Pins
4 : 4 Pins
5
9 : 9 Pins
A : 10 Pins
- Plating
2 : 2u" Min. Gold on Contact Area
3 : 5u" Min. Gold on Contact Area



Recommended P.C.B. Layout
Layout Tolerance = ± 0.05 mm

Dimension Information:

Part No.	Dim.	Amount of Pins	Dim.A	Dim.B
TSB1-08043-06TX	4	4	7.50	12.50
TSB1-08053-06TX	5	5	10.00	15.00
TSB1-08063-06TX	6	6	12.50	17.50
TSB1-08073-06TX	7	7	15.00	20.00
TSB1-08083-06TX	8	8	17.50	22.50
TSB1-08093-06TX	9	9	20.00	25.00
TSB1-080A3-06TX	10	10	22.50	27.50

DIMENSION IN mm [inch]			Title 2.5mm Pitch Battery Conn. Male Type		
Tolerance unless otherwise specified			Dwg No. TSB1-080X3-06TX		
X. ± 0.38	X.' ± 10'	www.allconnectors.de info@allconnectors.de +49 188 44 213 2000/24 70794 Filzschlamm Germany K. Hennecke, 25	File No. N/A		Scale: 4 : 1
X.X ± 0.38	X.X' ± 5'	CUSTOMER DRAWING		Rev : A	
X.XX ± 0.25	X.XX' ± 2'	Approver:	Checker:	Drawer: Aaron	06/19/2008
X.XXX ± 0.13	X.XXX' ±			Sheet: 1 / 1	