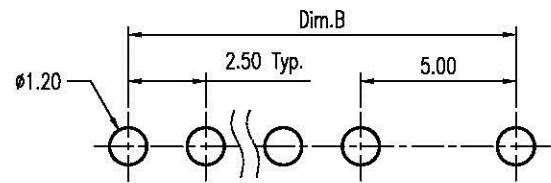
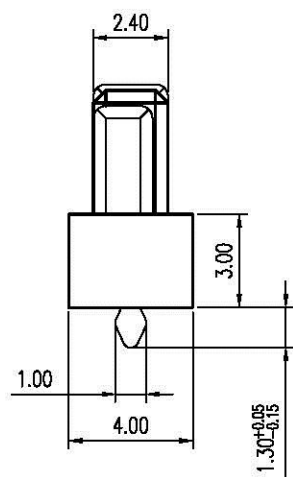
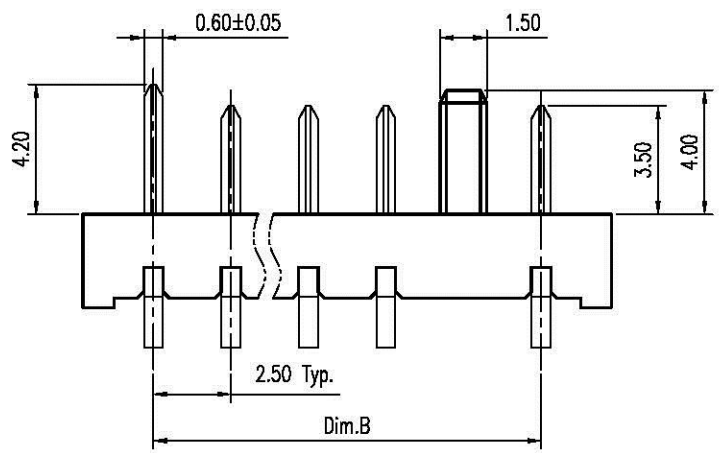
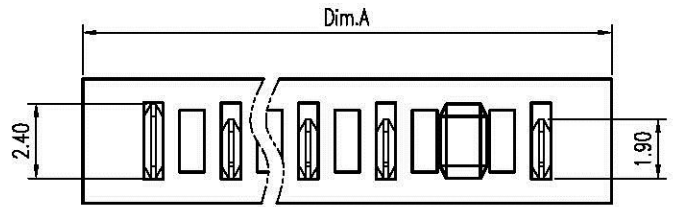
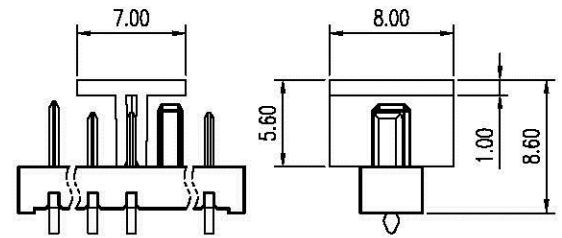


REV.	DESCRIPTION	ECN NO.	DATE	DRAWER
A	New Released		03/08/2010	Kevin



Recommended P.C.B. Layout
Layout Tolerance = ± 0.05 mm



With CAP

Notes:

- Material :
Housing : Thermoplastic UL 94V-0 ,Black
Terminal : Copper Alloy
- Finish :
Terminal : Selected Gold on Contact Area,
Gold Flash on Solder Tails, Both Over
50u" Min. Ni Under-plated Overall
- Order Information :
T SB1-052 X 2 -15 X X A

T: RoHS (for High Temperature)

Amount of Pins:

- 4 : 4 Pins
- 5
- 9 : 9 Pins
- A : 10 Pins

Packing Option:

- T : Tube
- 1 : Tube + Cap
- 2 : Reel + Cap

Plating Option:

- 1 : G/F Plating on Contact Area
- 2 : 2u" Min. Gold on Contact Area
- 3 : 5u" Min. Gold on Contact Area
- 8 : 30u" Min. Gold on Contact Area

Dimension Information:

Part No.	Dim.	Amount of Pins	Dim.A	Dim.B
TSB1-05242-15XXA	4		14.55	10.00
TSB1-05252-15XXA	5		17.05	12.50
TSB1-05262-15XXA	6		19.55	15.00
TSB1-05272-15XXA	7		22.05	17.50
TSB1-05282-15XXA	8		24.55	20.00
TSB1-05292-15XXA	9		27.05	22.50
TSB1-052A2-15XXA	10		29.55	25.00

DIMENSION IN mm [inch]		All Connectors	
Tolerance unless otherwise specified			
X.	X.' ± 10'	www.allconnectors.de	info@allconnectors.de
X.X ± 0.38	X.X' ± 5'	Tel.: 0049 711 2009533	Fax: 0049 711 2009534
X.XX ± 0.25	X.XX' ± 2'	70791 Nildorf - Germany	Kundenkarte: 25
X.XXX ± 0.13	X.XXX' ±	CUSTOMER DRAWING	

Title	2.5mm Pitch Battery Conn. Male Type
Dwg No.	TSB1-052X2-15XXA
File No.	PO3015
Apprver:	Checker:
Drawer:	Kevin
	03/08/2010

Scale:	4 : 1
Size:	A 4
Rev :	A
Sheet:	1 / 1