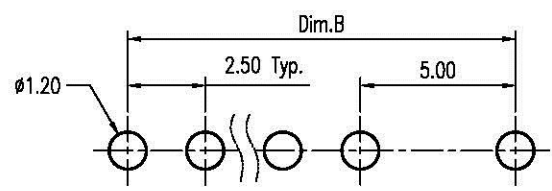
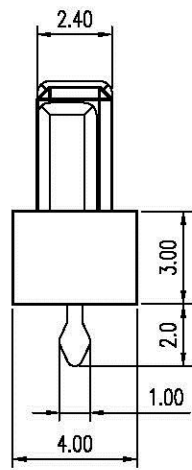
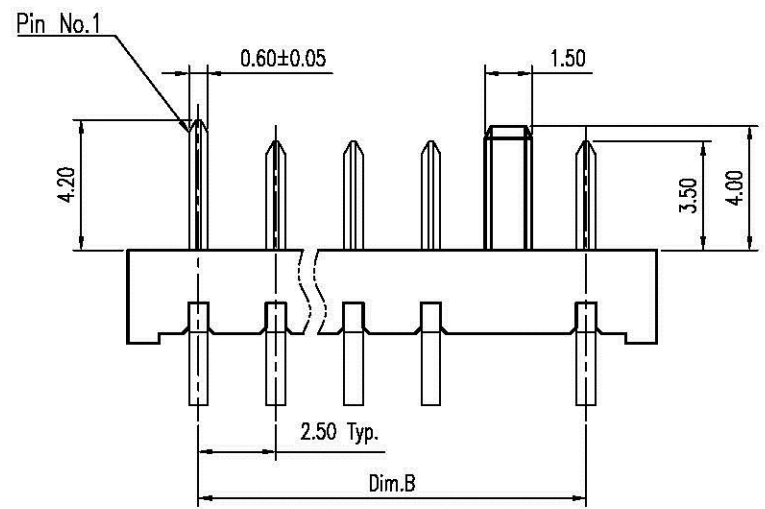
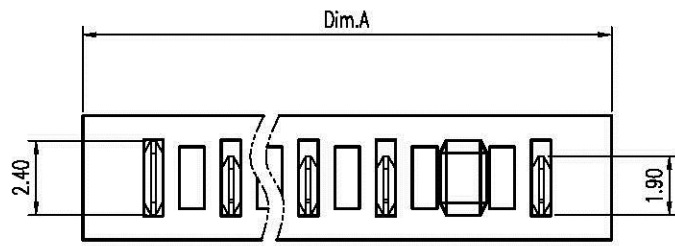


REV.	DESCRIPTION	ECN NO.	DATE	DRAWER
A	New Released		12/28/2009	LeoLiou



**Recommended P.C.B. Layout**  
Layout Tolerance = ± 0.05 mm

**Notes:**

- Material :  
Housing : Thermoplastic UL 94V-0 ,Black  
Terminal : Copper Alloy
  - Finish :  
Terminal : Selected Gold on Contact Area,  
Gold Flash on Solder Tails, Both Over  
50u" Min. Ni Under-plated Overall
  - Order Information :  
T SB1-052 X 2 -13T X A  
T: RoHS (for High Temperature)
- Amount of Pins:**  
4 : 4 Pins  
5  
9 : 9 Pins  
A : 10 Pins
- Plating Option:**  
1 : G/F Plating on Contact Area  
2 : 2u" Min. Gold on Contact Area  
3 : 5u" Min. Gold on Contact Area  
8 : 30u" Min. Gold on Contact Area

**Dimension Information:**

Part No.	Dim.	Amount of Pins	Dim.A	Dim.B
TSB1-05242-13TXA	4	4	14.55	10.00
TSB1-05252-13TXA	5	5	17.05	12.50
TSB1-05262-13TXA	6	6	19.55	15.00
TSB1-05272-13TXA	7	7	22.05	17.50
TSB1-05282-13TXA	8	8	24.55	20.00
TSB1-05292-13TXA	9	9	27.05	22.50
TSB1-052A2-13TXA	10	10	29.55	25.00

DIMENSION IN mm [inch]		<b>All Connectors</b>		Title 2.5mm Pitch Battery Conn. Male Type		Scale: 4 : 1			
Tolerance unless otherwise specified		www.allconnectors.de info@allconnectors.de		Dwg No. TSB1-052X2-13TXA		Size: A 4			
X.	X.' ± 10'	70794 Flußstraße - Germany		File No. PO3015		Rev : A			
X.X ± 0.38	X.X' ± 5'	CUSTOMER DRAWING		Appraver: _____ Checker: _____		Drawer: LeoLiou			
X.XX ± 0.25	X.XX' ± 2'					12/28/2009		Sheet: 1 / 1	
X.XXX ± 0.13	X.XXX' ±								