

REV.	DESCRIPTION	ECN NO.	DATE	DRAWER
A	New Release		10/22/2008	Hyde
B	Modified By \triangle B X1	EC0812068	12/26/2008	Hyde

Notes:

- Material :
Housing : Thermoplastic UL 94V-0 ,Black
Terminal : Copper Alloy
- Finish :
Terminal : Selected Gold on Contact Area,
Gold Flash on Solder Tails, Both Over
50u" Min. Ni Under-plated Overall
- Order Information :
T SB1-052 X 2-02T X

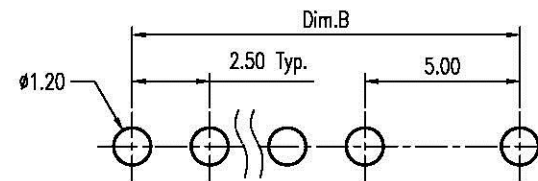
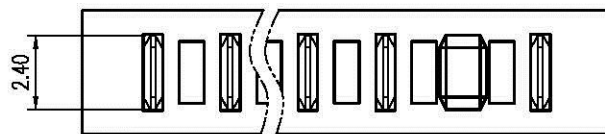
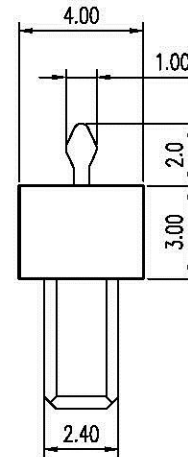
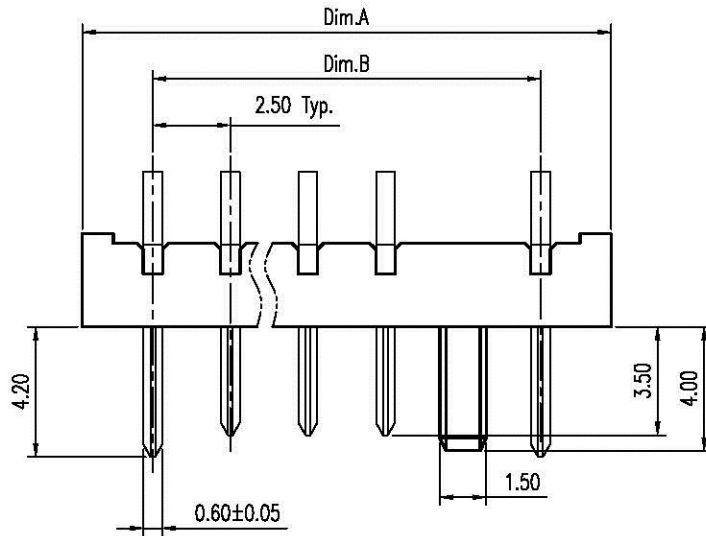
T: RoHS (for High Temperature)

Amount of Pins:

- 4 : 4 Pins
5
9 : 9 Pins
A : 10 Pins

Plating Option:

- 2 : 2u" Min. Gold on Contact Area
3 : 5u" Min. Gold on Contact Area
8 : 30u" Min. Gold on Contact Area



Recommended P.C.B. Layout
Layout Tolerance = ± 0.05 mm

\triangle Dimension Information:

Part No.	Dim.	Amount of Pins	Dim.A	Dim.B
TSB1-05242-02TX	4	4	14.55	10.00
TSB1-05252-02TX	5	5	17.05	12.50
TSB1-05262-02TX	6	6	19.55	15.00
TSB1-05272-02TX	7	7	22.05	17.50
TSB1-05282-02TX	8	8	24.55	20.00
TSB1-05292-02TX	9	9	27.05	22.50
TSB1-052A2-02TX	10	10	29.55	25.00

DIMENSION IN mm [inch]		All Connectors
Tolerance unless otherwise specified		
X.	X.' $\pm 10'$	<small>www.allconnectors.com Tel.: 0548 711 768903 70784 Pilsdorfstr. Germany info@allconnectors.com Fax: 0548 711 705904 Kilbomerzstr. 22</small>
X.X ± 0.38	X.X' $\pm 5'$	
X.XX ± 0.25	X.XX' $\pm 2'$	
X.XXX ± 0.13	X.XXX' \pm	

Title 2.5mm Pitch Battery Conn. Male Type		
Dwg No. TSB1-052X2-02TX		
File No. P03015		Scale: 4 : 1
Apprver:		Size: A 4
Checker:		Rev : B
Drawer: Hyde		Sheet: 1 / 1
		12/26/2008