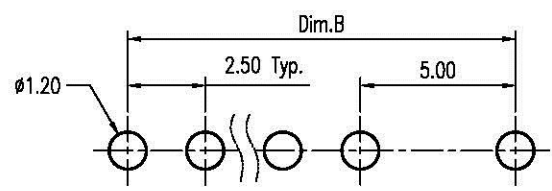
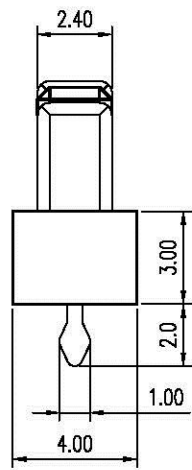
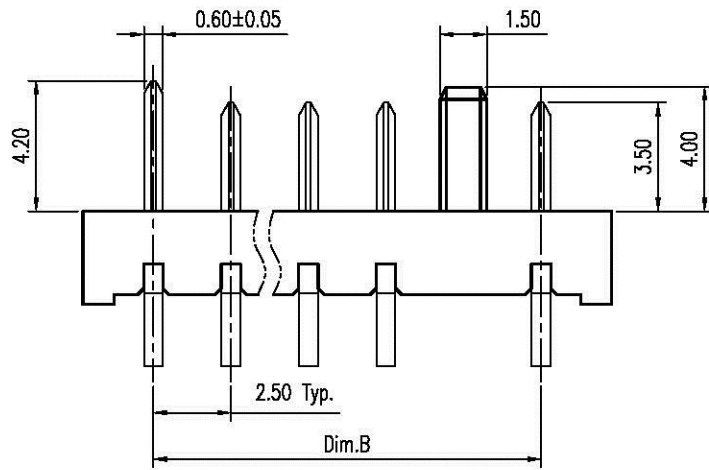
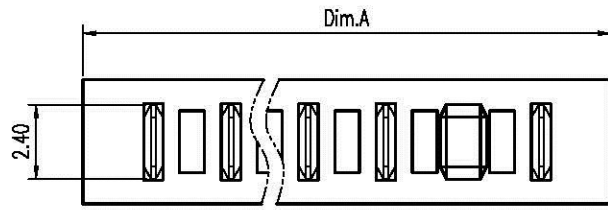


REV.	DESCRIPTION	ECN NO.	DATE	DRAWER
A	New Release		12/26/2008	Winnie



Recommended P.C.B. Layout
Layout Tolerance = ± 0.05 mm

Notes:

- Material :
Housing : Thermoplastic UL 94V-0 ,Black
Terminal : Copper Alloy
 - Finish :
Terminal : Selected Gold on Contact Area,
Gold Flash on Solder Tails, Both Over
50u" Min. Ni Under-plated Overall
 - Order Information :
SB1-052 X 2 -01T X
T: RoHS (for High Temperature)
- Amount of Pins:**
4 : 4 Pins
5
9 : 9 Pins
A : 10 Pins
- Plating Option:**
2 : 2u" Min. Gold on Contact Area
3 : 5u" Min. Gold on Contact Area
8 : 30u" Min. Gold on Contact Area

Dimension Information:

Part No.	Dim.	Amount of Pins	Dim.A	Dim.B
TSB1-05242-01TX	4		14.55	10.00
TSB1-05252-01TX	5		17.05	12.50
TSB1-05262-01TX	6		19.55	15.00
TSB1-05272-01TX	7		22.05	17.50
TSB1-05282-01TX	8		24.55	20.00
TSB1-05292-01TX	9		27.05	22.50
TSB1-052A2-01TX	10		29.55	25.00

AlIconnectors
www.alIconnectors.de
Tel: 0340 711 7003503
70704 Filderstadt - Germany

CUSTOMER DRAWING

Info@alIconnectors.de
Tel: 0340 711 7003504
Kettnerstr. 25

Title: 2.5mm Pitch Battery Conn. Male Type

Dwg No. TSB1-052X2-01TX

File No. PO3015

Appraver: _____

Checker: _____

Drawer: Winnie

12/26/2008

Scale: 4 : 1

Size: A 4

Rev : A

Sheet: 1 / 1