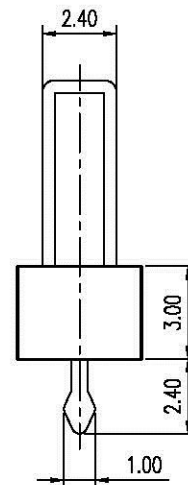
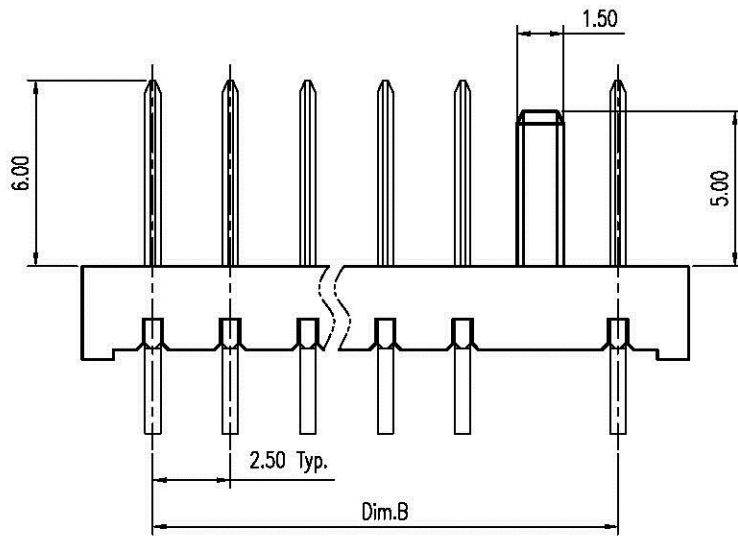
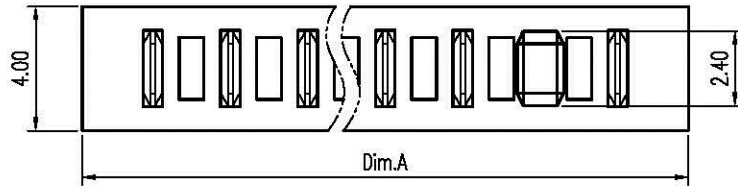


REV.	DESCRIPTION	ECN NO.	DATE	DRAWER
A	New Release		07/25/2006	Aaron



Notes:

- Material :**
Housing : Thermoplastic UL 94V-0, Black
Terminal : Copper Alloy
- Finish :**
Terminal : Selected Gold on Contact Area, Gold Flash on Solder Tails, Both Over 50u" Min. Ni Under-plated Overall
- Order Information :**

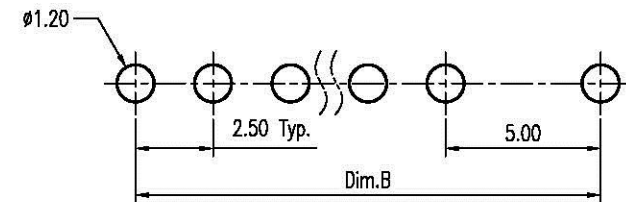
T: RoHS (for High Temperature)
SB1-052 X 1-OCT X

Amount of Pins :

- 4 : 4 Pins
- 5 : 5 Pins
- 9 : 9 Pins
- A : 10 Pins

Plating :

- 2 : 2u" Min. Gold on Contact Area
- 3 : 5u" Min. Gold on Contact Area
- 8 : 30u" Min. Gold on Contact Area



Recommended P.C.B. Layout
Layout Tolerance = ± 0.05 mm

Part No.	Dim.	Amount of Pins	Dim.A	Dim.B
TSB1-05241-OCTX	4		14.55	10.00
TSB1-05251-OCTX	5		17.05	12.50
TSB1-05261-OCTX	6		19.55	15.00
TSB1-05271-OCTX	7		22.05	17.50
TSB1-05281-OCTX	8		24.55	20.00
TSB1-05291-OCTX	9		27.05	22.50
TSB1-052A1-OCTX	10		29.55	25.00

DIMENSION IN mm [inch]			
Tolerance unless otherwise specified			
X.	± --	X.'	± 10'
X.X	± 0.38	X.X'	± 5'
X.XX	± 0.25	X.XX'	± 2'
X.XXX	± 0.13	X.XXX'	±

All Connectors

www.allconnectors.com
Tel: 0649 711 7095/6/8
7098A Ridge Road, Sydney, Australia
info@allconnectors.com
Fax: 6045 711 7085/6/8
get@allconnectors.com

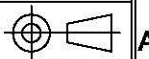
CUSTOMER DRAWING

Approver:

Checker:

Drawer: **Aaron**

07/25/2006



Scale: 4 : 1

Size: A 4

Rev : A

Sheet: 1 / 1