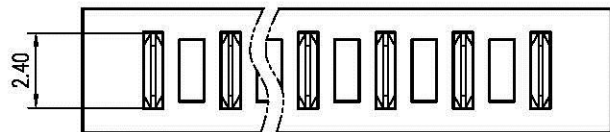
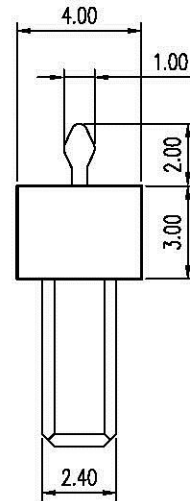
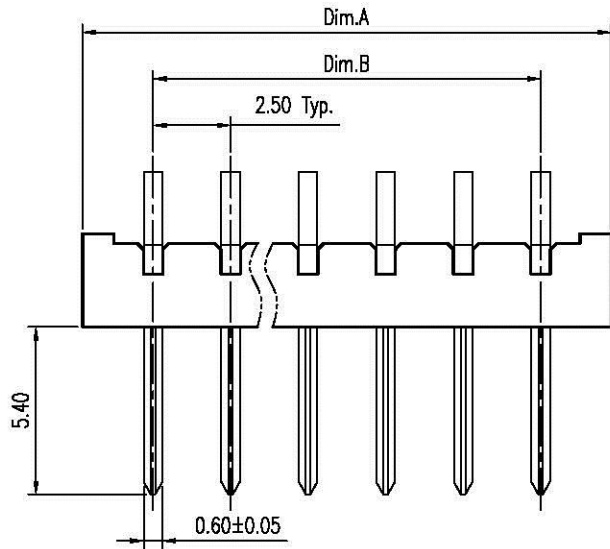


REV.	DESCRIPTION	ECN NO.	DATE	DRAWER
A	New Release		08/12/2006	Edsen



Notes:

- Material :
Housing : Thermoplastic UL 94V-0, Black
Terminal : Copper Alloy
- Finish :
Terminal : Selected Gold on Contact Area,
G/F on Solder Tails, Both Over
50u"Min. Ni Under-plated Overall
- Order Information :

SB1-052 X 0-0BT X

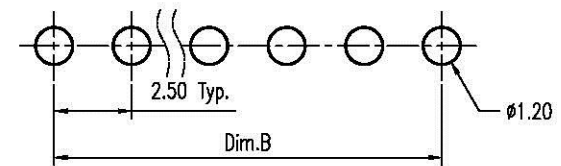
T: RoHS (for High Temperature)

Amount of Pins

- 4 : 4 Pins
- 5
- 9 : 9 Pins
- A : 10 Pins

Plating

- 2 : 2u" Min. Gold on Contact Area
- 3 : 5u" Min. Gold on Contact Area



Recommended P.C.B. Layout
Layout Tolerance = ± 0.05 mm

Dimension Information:

Part No.	Dim.	Amount of Pins	Dim.A	Dim.B
TSB1-05240-0BTX	4		12.05	7.50
TSB1-05250-0BTX	5		14.55	10.00
TSB1-05260-0BTX	6		17.05	12.50
TSB1-05270-0BTX	7		19.55	15.00
TSB1-05280-0BTX	8		22.05	17.50
TSB1-05290-0BTX	9		24.55	20.00
TSB1-052A0-0BTX	10		27.05	22.50

DIMENSION IN mm [inch]	
Tolerance unless otherwise specified	
X.	X.' ± 10'
X.X ± 0.38	X.X' ± 5'
X.XX ± 0.25	X.XX' ± 2'
X.XXX ± 0.13	X.XXX' ±

All Connectors

www.allconnectors.de
Tel.: 0491 781 209501
70734 Ulm/Steinbrunn, Germany
Info:allconnectors.de
Fax:0491 211 209504
Kontakt@ac.de

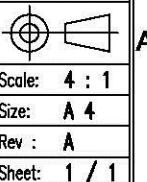
CUSTOMER DRAWING

Approver:

Checker:

Drawer: **Edsen**

08/12/2006



Title: 2.5mm Pitch Battery Conn.
Male Type
Dwg No. TSB1-052X0-0BTX
File No.
Scale: 4 : 1
Size: A 4
Rev : A
Sheet: 1 / 1