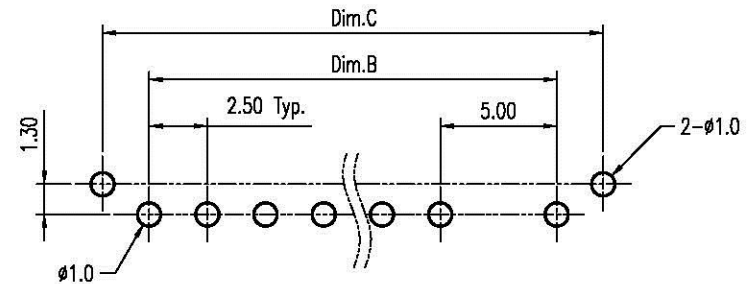
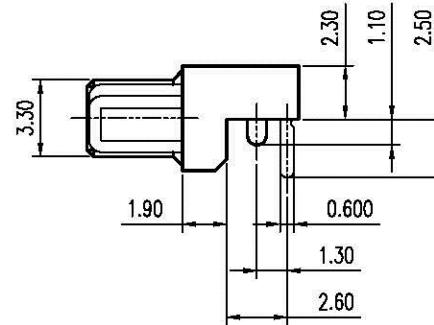
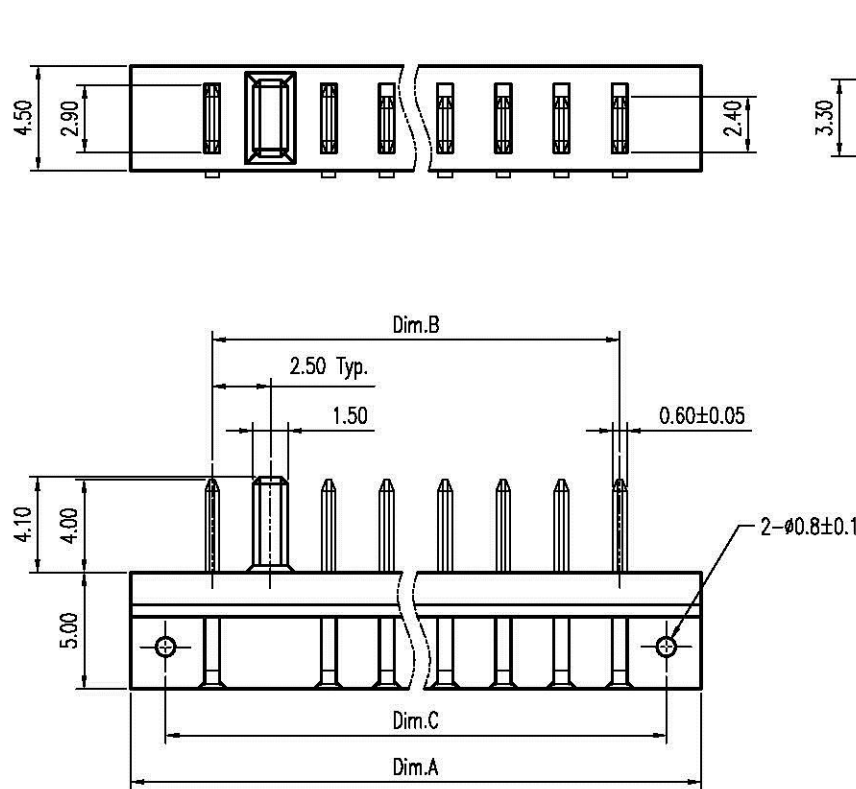


REV.	DESCRIPTION	ECN NO.	DATE	DRAWER
C	Modified by Customer Design	DECN051202	12/13/2005	Edsen
D	Add Plating Option Δ x3	EC0907047	07/16/2009	Hyde
E	Modified Δ x1	EC0909010	09/02/2009	Hyde

Notes:

- Material :
Housing : Thermoplastic UL 94V-0, Color:Black
Terminal : Copper Alloy
- Finish :
Terminal : Selected Gold on Contact Area, Gold Flash on Solder Tails, Both Over 50u" Min. Ni Under-plated Overall
- Order Information :
T SB1-021 X 2-01T X
T: RoHS (for High Temperature)
Amount of Pins
3 : 3 Pins
5
A : 10 Pins
 Δ Plating Option:
2: 3u" Gold on Contact Area.
3: 5u" Gold on Contact Area.



Recommended P.C.B. Layout
Layout Tolerance = ± 0.05 mm

Part No.	Dim.	Dim.A	Dim.B	Dim.C
TSB1-02132-01TX		14.50	7.50	11.50
TSB1-02142-01TX		17.00	10.00	14.00
TSB1-02152-01TX		19.50	12.50	16.50
TSB1-02162-01TX		22.00	15.00	19.00
TSB1-02172-01TX		24.50	17.50	21.50
TSB1-02182-01TX		27.00	20.00	24.00
TSB1-02192-01TX		29.50	22.50	26.50
TSB1-021A2-01TX		32.00	25.0	29.00

DIMENSION IN mm [inch]		Title	Scale: 3 : 1
Tolerance unless otherwise specified			
X.	\pm --	X.' \pm 10'	
X.X	\pm 0.38	X.X' \pm 5'	
X.XX	\pm 0.25	X.XX' \pm 2'	
X.XXX	\pm 0.13	X.XXX' \pm	
www.allconnectors.de		Info@allconnectors.de	
Tel.: 089/733 70000		Fax: 089/733 70004	
73734 Pfaffenlocher, Germany		Kontakt@ac.de	
CUSTOMER DRAWING		Dwg No. TSB1-021X2-01TX Δ	Size: A 4
Approver:		File No. N/A	Rev : E
Checker:		Drawer: Hyde	Sheet: 1 / 1
		09/02/2009	