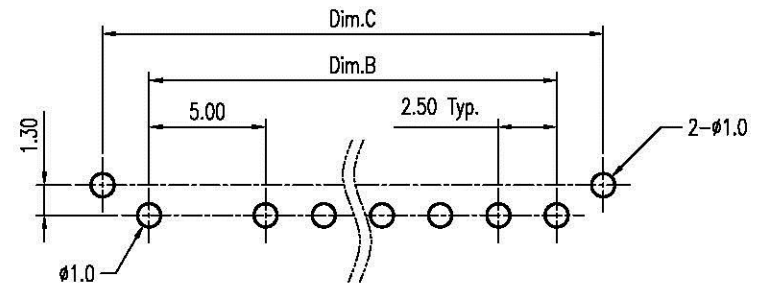
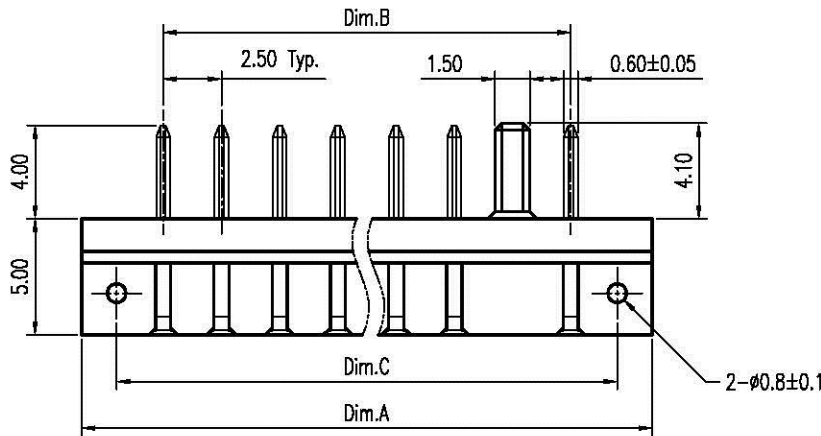
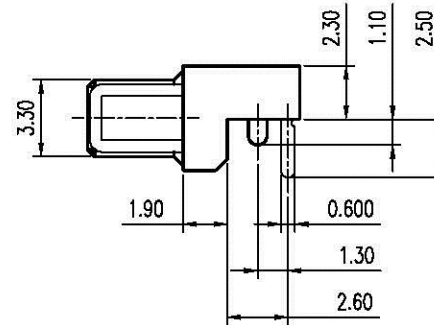
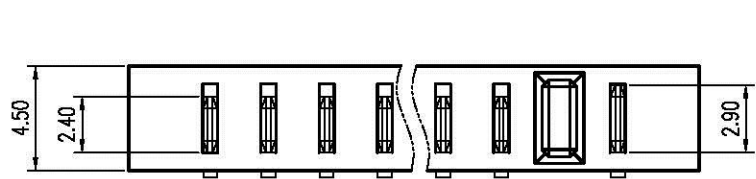


REV.	DESCRIPTION	ECN NO.	DATE	DRAWER
C	Modified by Customer Design	DECN051202	12/14/2005	Edsen
D	Add Plating Option Δ x3	EC0907047	07/16/2009	Hyde
E	Modified Δ x1	EC0909010	09/02/2009	Hyde

Notes:

- Material :
Housing : Thermoplastic UL 94V-0, Color: Black
Terminal : Copper Alloy
- Finish :
Terminal : Selected Gold on contact Area, Gold Flash on Solder Tails, Both Over 50u" Min.
Ni Under-plated Overall
- Order Information :
T SB1-021 X 1-04T X
T: RoHS (for High Temperature)
Amount of Pins
3 : 3 Pins
s
A : 10 Pins
 Δ Plating Option:
2 : 3u" Gold on Contact Area.
3 : 5u" Gold on Contact Area.



Recommended P.C.B. Layout
Layout Tolerance = ± 0.05 mm

Part No.	Dim.	Dim.A	Dim.B	Dim.C
TSB1-02131-04TX		14.50	7.50	11.50
TSB1-02141-04TX		17.00	10.00	14.00
TSB1-02151-04TX		19.50	12.50	16.50
TSB1-02161-04TX		22.00	15.00	19.00
TSB1-02171-04TX		24.50	17.50	21.50
TSB1-02181-04TX		27.00	20.00	24.00
TSB1-02191-04TX		29.50	22.50	26.50
TSB1-021A1-04TX		32.00	25.00	29.00

DIMENSION IN mm [inch]			
Tolerance unless otherwise specified			
X.	\pm --	X.'	$\pm 10'$
X.X	± 0.38	X.X'	$\pm 5'$
X.XX	± 0.25	X.XX'	$\pm 2'$
X.XXX	± 0.13	X.XXX'	\pm

Allconnectors
www.allconnectors.de
Tel: +49 911 717 100 100
Fax: +49 911 717 100 101
info@allconnectors.de
Reichartstr. 12

CUSTOMER DRAWING

Approver:

Checker:

Drawer: Hyde

09/02/2009

Title 2.5mm Pitch Battery Conn.
(SB Male 02 Series)

Dwg No. TSB1-021X1-04TX Δ

File No. N/A

