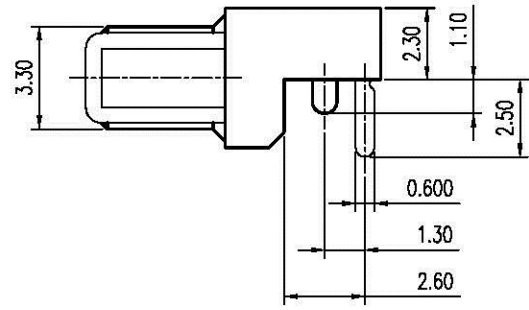
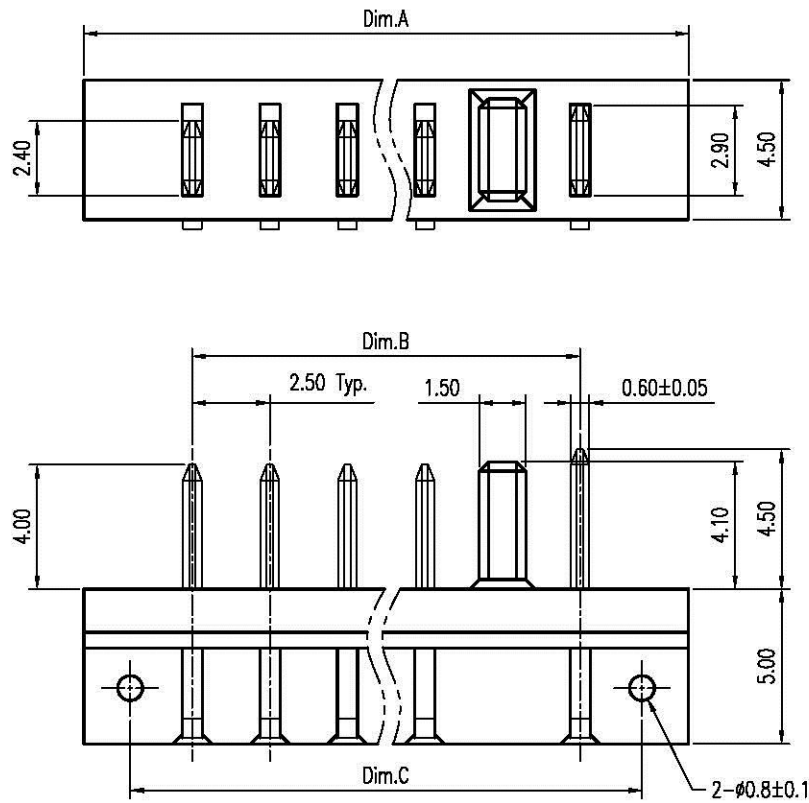
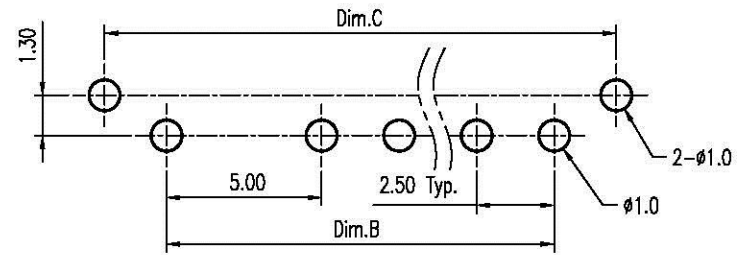


REV.	DESCRIPTION	ECN NO.	DATE	DRAWER
C	Modified by Customer Design	DECN051202	12/14/2005	Edsen
D	Add Plating Option Δ x3	EC0907047	07/16/2009	Hyde
E	Modified Δ x1	EC0909010	09/02/2009	Hyde



Notes:

- Material :**
Housing : Thermoplastic UL 94V-0, Color:Black
Terminal : Copper Alloy
 - Finish :**
Terminal : Selected Gold on Contact Area, Gold Flash on Solder Tails, Both Over 50u" Min.
Ni Under-plated Overall
 - Order Information :**
SB1-021 X 1-02T X
T:RoHS (for High Temperature)
Amount of Pins
3 : 3 Pins
s
A : 10 Pins
- Δ Plating Option :
2: 3u" Gold on Contact Area.
3: 5u" Gold on Contact Area.



Recommended P.C.B. Layout
Layout Tolerance = ± 0.05 mm

Part No.	Dim.	Dim.A	Dim.B	Dim.C
TSB1-02131-02TX		14.50	7.50	11.50
TSB1-02141-02TX		17.00	10.00	14.00
TSB1-02151-02TX		19.50	12.50	16.50
TSB1-02161-02TX		22.00	15.00	19.00
TSB1-02171-02TX		24.50	17.50	21.50
TSB1-02181-02TX		27.00	20.00	24.00
TSB1-02191-02TX		29.50	22.50	26.50
TSB1-021A1-02TX		32.00	25.00	29.00

DIMENSION IN mm [inch]			Title 2.5mm Pitch Battery Conn. Male Type		
Tolerance unless otherwise specified			Dwg No. TSB1-021X1-02TX Δ		
X. \pm --	X.' \pm 10'	www.allconnectors.de	File No. PO4001		Scale: 4 : 1
X.X \pm 0.38	X.X' \pm 5'	info@allconnectors.de	CUSTOMER DRAWING		Size: A 4
X.XX \pm 0.25	X.XX' \pm 2'	79764 Finkenfeld Germany	Approver:		Rev : E
X.XXX \pm 0.13	X.XXX' \pm		Checker:		Sheet: 1 / 1
			Drawer: Hyde		09/02/2009