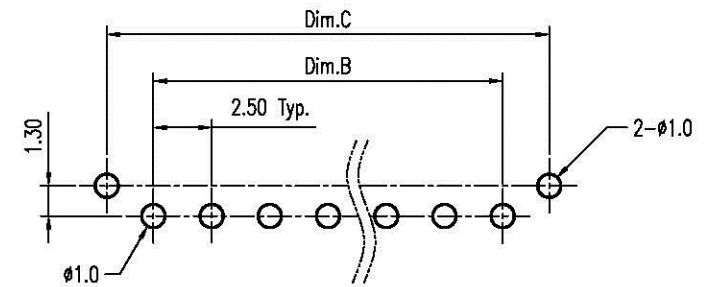
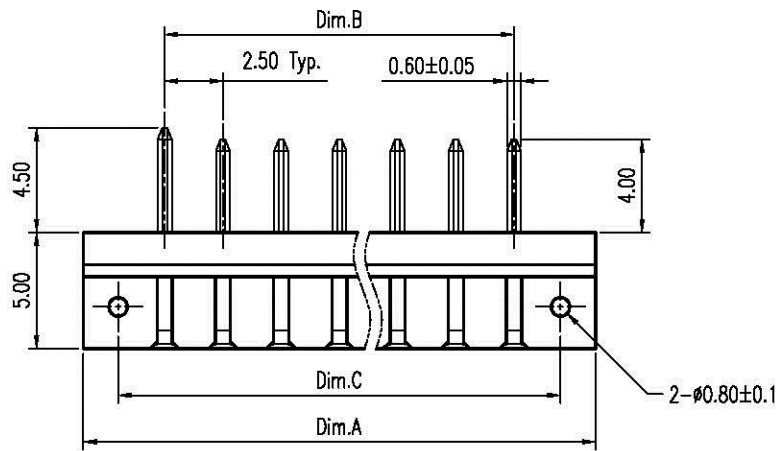
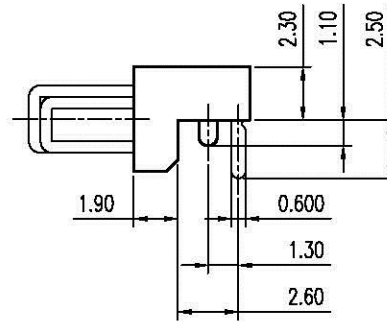
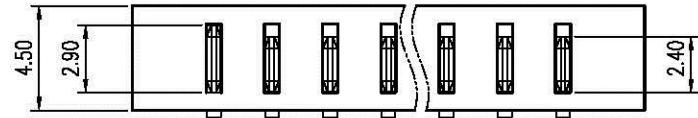


REV.	DESCRIPTION	ECN NO.	DATE	DRAWER
A	New Release		11/18/2004	<i>Hutiu</i>
B	Modified by Customer Design	DECN051202	12/14/2005	<i>Edsen</i>
C	Add Plating Option \triangle x3	EC0907047	07/16/2009	<i>Hyde</i>

Notes:

- Material :
Housing : Thermoplastic UL 94V-0, Color:Black
Terminal : Copper Alloy
- Finish :
Terminal : Selected Gold on Contact Area, Gold Flash on Solder Tails, Both Over 50 μ m Min. Ni Under-plated Overall
- Order Information :
T SB1-021 X 0-07T X
T: RoHS (for High Temperature)
Amount of Pins
3 : 3 Pins
s
A : 10 Pins
 \triangle Plating Option:
2 : 3 μ Gold on Contact Area
3 : 5 μ Gold on Contact Area



Recommended P.C.B. Layout
Layout Tolerance = \pm 0.05 mm

Part No.	Dim.	Dim.A	Dim.B	Dim.C
TSB1-02130-07TX		12.00	5.00	9.00
TSB1-02140-07TX		14.50	7.50	11.50
TSB1-02150-07TX		17.00	10.00	14.00
TSB1-02160-07TX		19.50	12.50	16.50
TSB1-02170-07TX		22.00	15.00	19.00
TSB1-02180-07TX		24.50	17.50	21.50
TSB1-02190-07TX		27.00	20.00	24.00
TSB1-021A0-07TX		29.50	22.50	26.50

DIMENSION IN mm [inch]			
Tolerance unless otherwise specified			
X.	\pm --	X.'	\pm 10'
X.X	\pm 0.38	X.X'	\pm 5'
X.XX	\pm 0.25	X.XX'	\pm 2'
X.XXX	\pm 0.13	X.XXX'	\pm

All Connectors
www.allconnectors.com
info@allconnectors.com
Tel: 0049 723 7036305
72724 Filberndorf - Germany
info@allconnectors.de
Tel: 0049 723 7036305
72724 Filberndorf - Germany

CUSTOMER DRAWING

Approver: _____
Checker: _____

Title	2.5mm Pitch Battery Conn. Male Type
Dwg No.	TSB1-021X0-07TX \triangle
File No.	N/A
Drawer:	<i>Hyde</i>
	07/16/2009

Scale:	3 : 1
Size:	A 4
Rev :	C
Sheet:	1 / 1