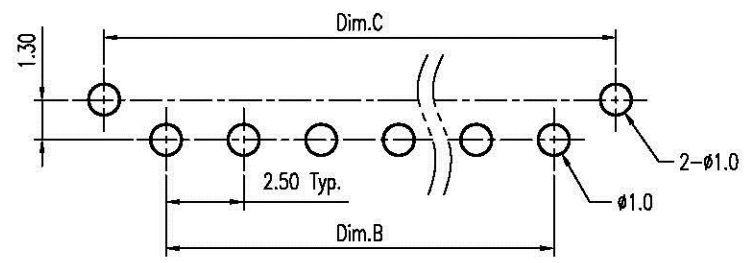
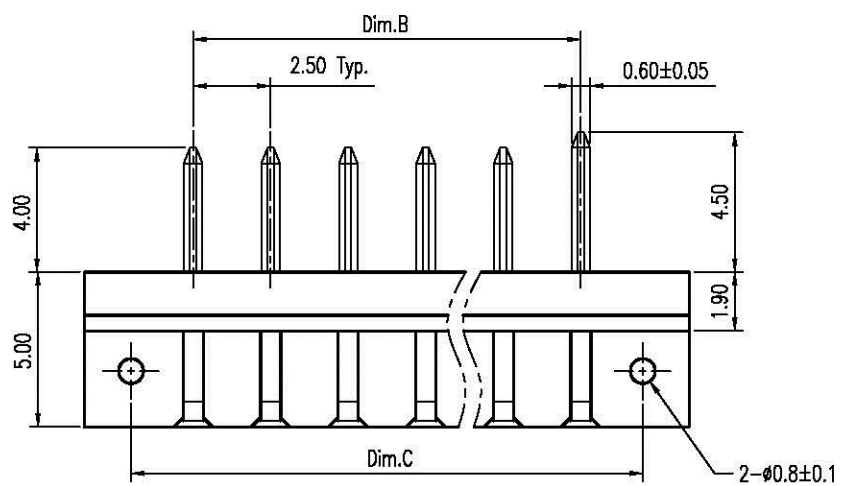
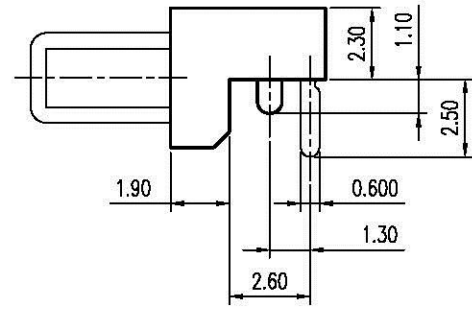
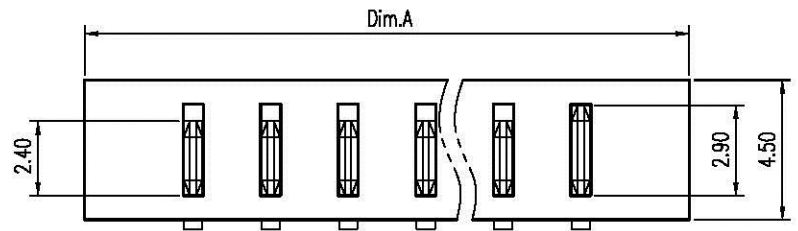


REV.	DESCRIPTION	ECN NO.	DATE	DRAWER
B	Added Lead Free Type	EC0506017	06/09/2005	Tom
C	Modified by Customer Design	DECN051202	12/14/2005	Edsen
D	Add Plating Option $\Delta$ x3	EC0907047	07/16/2009	Hyde

**Notes:**

- Material :**  
Housing : Thermoplastic UL 94V-0, Color:Black  
Terminal : Copper Alloy
- Finish :**  
Terminal : Selected Gold on Contact Area,  
Gold Flash on Solder Tails, Both Over  
50u" Min. Ni Under-plated Overall
- Order Information :**  
I SB1-021 X 0-02T X  
T:RoHS (for High Temperature)  
**Amount of Pins**  
3 : 3 Pins  
s  
A : 10 Pins  
 $\Delta$  **Plating Option:**  
2 : 3u" Gold on Contact Area  
3 : 5u" Gold on Contact Area



**Recommended P.C.B. Layout**  
Layout Tolerance =  $\pm 0.05$  mm

Part No.	Dim.	Dim.A	Dim.B	Dim.C
TSB1-02130-02TX		12.00	5.00	9.00
TSB1-02140-02TX		14.50	7.50	11.50
TSB1-02150-02TX		17.00	10.00	14.00
TSB1-02160-02TX		19.50	12.50	16.50
TSB1-02170-02TX		22.00	15.00	19.00
TSB1-02180-02TX		24.50	17.50	21.50
TSB1-02190-02TX		27.00	20.00	24.00
TSB1-021A0-02TX		29.50	22.50	26.50

DIMENSION IN mm [inch]		All Connectors	Title	Scale: 4 : 1
Tolerance unless otherwise specified				
X.	$\pm$ --	Tel: 0048 711 7005203	Male Type	
X.X	$\pm 0.38$	Info@allconnectors.com	Dwg No. TSB1-021X0-02TX $\Delta$	Size: A 4
X.XX	$\pm 0.25$	Fax: 0048 711 7005204	File No. PO4001	Rev: D
X.XXX	$\pm 0.13$	70754 File do/dobc: 00mm/ny	CUSTOMER DRAWING	Sheet: 1 / 1
Appraver:		Checker:		Drawer: Hyde
				07/16/2009

