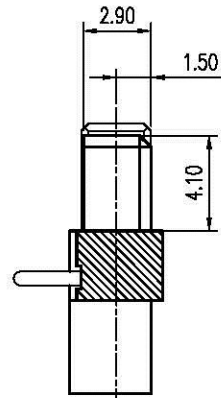
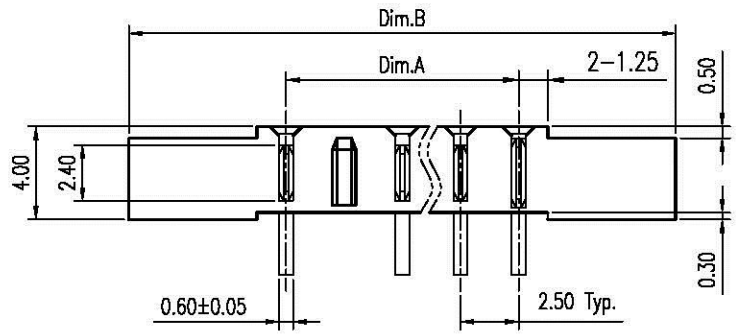


REV.	DESCRIPTION	ECN NO.	DATE	DRAWER
A	New Released		03/29/2010	Aaron

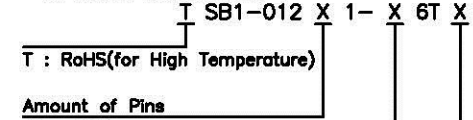


Section A-A

Notes:

- Material :
Housing : Thermoplastic UL 94V-0
Terminal : Copper Alloy
- Finished :
Terminal : Selected Gold on Contact Area, Gold Flash on Solder Tails, Both over 50u" Min. Ni Under-plated Overall

3. Order Information :



Amount of Pins

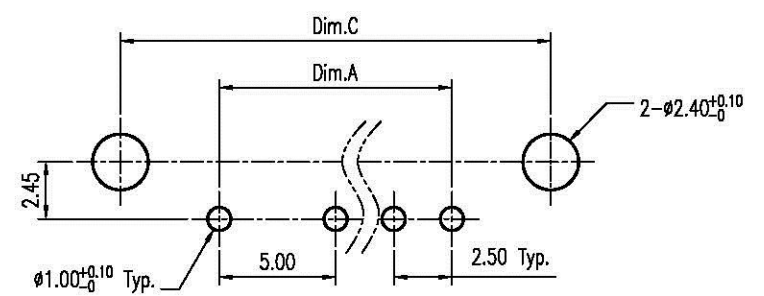
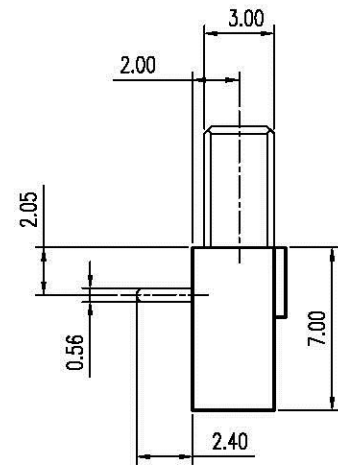
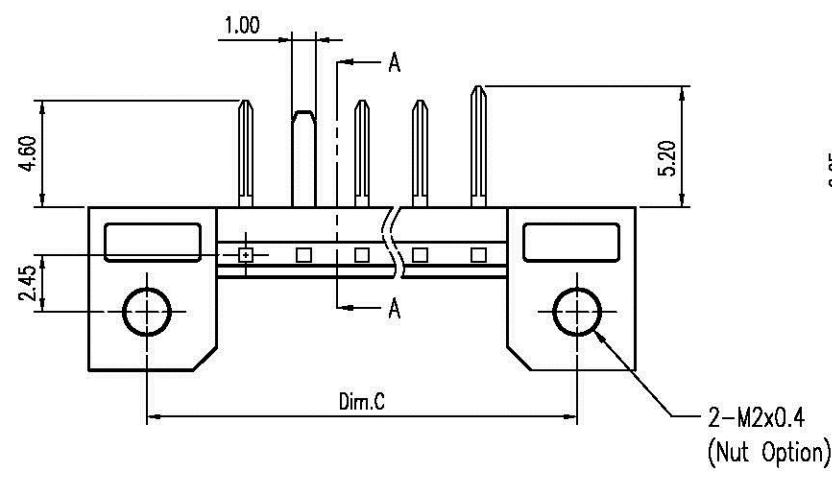
- 3 : 3 Pins
- 9 : 9 Pins
- A : 10 Pins

Nut Option:

- 0 : Without Nut
- 1 : With Nut

Plating

- 2 : 2u" Min. Gold on Contact Area
- 3 : 5u" Min. Gold on Contact Area
- 4 : 10u" Min. Gold on Contact Area



Recommended P.C.B. Layout
Layout Tolerance = ± 0.05 mm

Dimension Information:

Part No.	Dim.	Amount of Pins	Dim.A	Dim.B	Dim.C
TSB1-01231-X6TX	3		7.50	21.00	16.00
TSB1-01241-X6TX	4		10.00	23.50	18.50
TSB1-01251-X6TX	5		12.50	26.00	21.00
TSB1-01261-X6TX	6		15.00	28.50	23.50
TSB1-01271-X6TX	7		17.50	31.00	26.00
TSB1-01281-X6TX	8		20.00	33.50	28.50
TSB1-01291-X6TX	9		22.50	36.00	31.00
TSB1-012A1-X6TX	10		25.00	38.50	33.50

DIMENSION IN mm [inch]		All Connectors		Title 2.5mm Pitch Battery Conn. Male Type	
Tolerance unless otherwise specified		www.allconnectors.com		Dwg No. TSB1-012X1-X6TX	
X. ± 0.38	X.X' ± 10'	Info@allconnectors.com		File No. P02045	
X.XX ± 0.25	X.XX' ± 2'	Tel: 0049 744 700200		Scale: 3 : 1	
X.XXX ± 0.13	X.XXX' ±	Fax: 0049 744 700204		Size: A 4	
		Email: info@allconnectors.com		Rev: A	
Approver:		CUSTOMER DRAWING		Sheet: 1 / 1	
Checker:		Drawer: Aaron		Date: 03/29/2010	