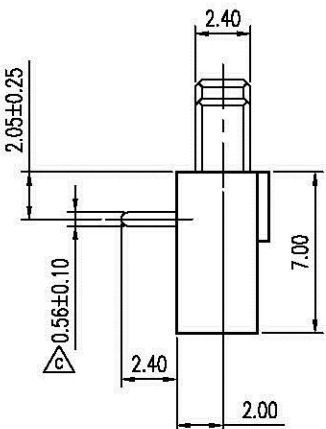
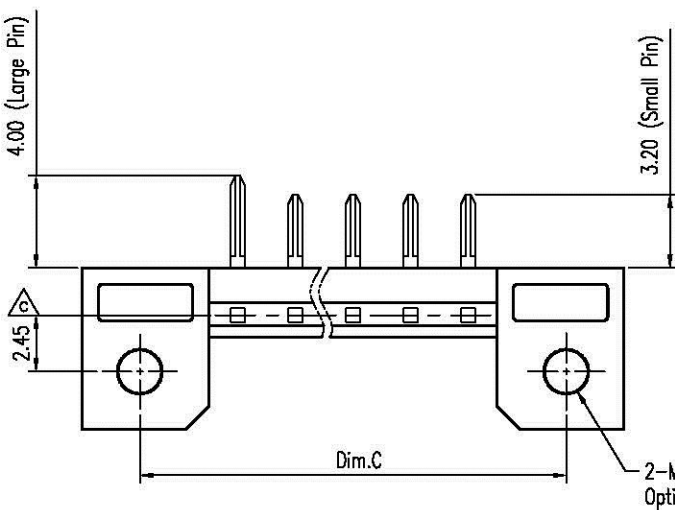
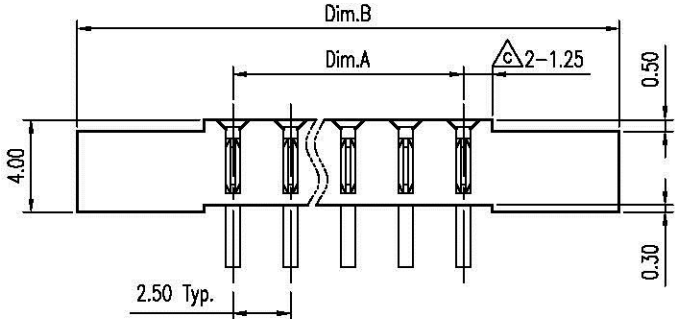


1 2 3 4 5 6 7

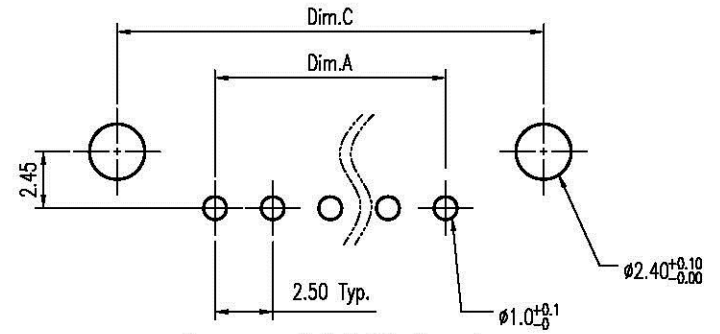
| REV. | DESCRIPTION | ECN NO. | DATE | DRAWER |
|------|---------------------------------|-----------|------------|--------|
| A | New Released | | 11/01/2001 | Ben |
| B | Modified Drawing | EC0505046 | 05/18/2005 | Aaron |
| C | Modified Drawing \triangle x6 | EC1008041 | 2010/08/11 | Judy |

E
D
C
B
A



Notes:

- Material :
Housing : Thermoplastic UL 94V-0, Black
Terminal : Copper Alloy T = 0.60±0.05
Nut : Copper Alloy
- Finish :
Terminal : Selected Gold on Contact Area, Gold Flash on Solder Tails, Both over 50u" Min. Ni Under-plated Overall
Nut : 50u" Min. Ni Overall
- Order Information :
 \triangle TSB1-011 X 1- X 1T X
Amount of Pins
3 : 3 Pins
9 : 9 Pins
A : 10 Pins
B : 11 Pins
Option of Nut
0 : Without Nut
1 : With Nut
Plating
2 : 2u" Min. Gold on Contact Area
4 : 10u" Min. Gold on Contact Area



Recommended P.C.B. Layout
Layout Tolerance = ± 0.05 mm

| Part No. | Dim. | Amount of Pins | Dim.A | Dim.B | Dim.C |
|-----------------|------|----------------|-------|-------|-------|
| TSB1-01131-X1TX | 3 | | 5.00 | 18.50 | 13.50 |
| TSB1-01141-X1TX | 4 | | 7.50 | 21.00 | 16.00 |
| TSB1-01151-X1TX | 5 | | 10.00 | 23.50 | 18.50 |
| TSB1-01161-X1TX | 6 | | 12.50 | 26.00 | 21.00 |
| TSB1-01171-X1TX | 7 | | 15.00 | 28.50 | 23.50 |
| TSB1-01181-X1TX | 8 | | 17.50 | 31.00 | 26.00 |
| TSB1-01191-X1TX | 9 | | 20.00 | 33.50 | 28.50 |
| TSB1-011A1-X1TX | 10 | | 22.50 | 36.00 | 31.00 |
| TSB1-011B1-X1TX | 11 | | 25.00 | 38.50 | 33.50 |

| | | | | |
|--------------------------------------|------------|---|---|--|
| DIMENSION IN mm [inch] | | | Title 2.5mm Pitch Battery Conn. Male Type Dwg No. TSB1-011X1-X1TX \triangle File No. P02045 | |
| Tolerance unless otherwise specified | | | | |
| X. ± | X.* ± 10' | CUSTOMER DRAWING Approver: _____ Checker: _____ Drawer: <i>Judy</i> 2010/08/11 | Scale: 3 : 1 Size: A 4 Rev : C Sheet: 1 / 1 | |
| X.X ± 0.38 | X.X* ± 5' | | | |
| X.XX ± 0.25 | X.XX* ± 2' | | | |
| X.XXX ± 0.15 | X.XXX* ± | | | |

1 2 3 4 5 6 7 WC00-4B