

REV.	DESCRIPTION	ECN NO.	DATE	DRAWER
A	New Release		10/08/2009	LeoLiou

**Notes:**

- Material :  
Housing : Thermoplastic UL 94V-0, Black  
Terminal : Copper Alloy
- Finish :  
Terminal : Selected Gold on Contact Area, Gold Flash on Solder Tails, Both over 40u" Min. Ni Under-plated Overall
- Corresponding Products :  
Male Contact Pin Thickness: 0.7mm
- Order Information :

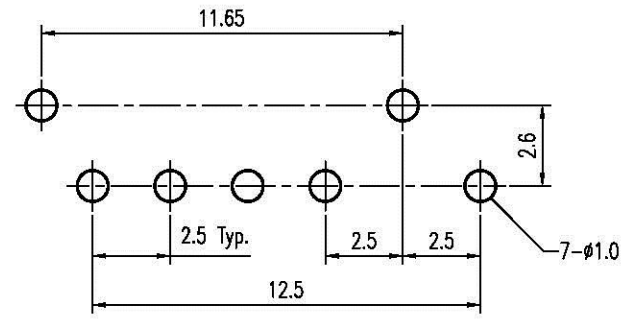
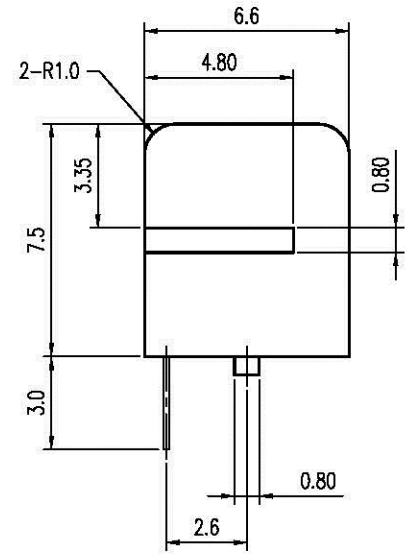
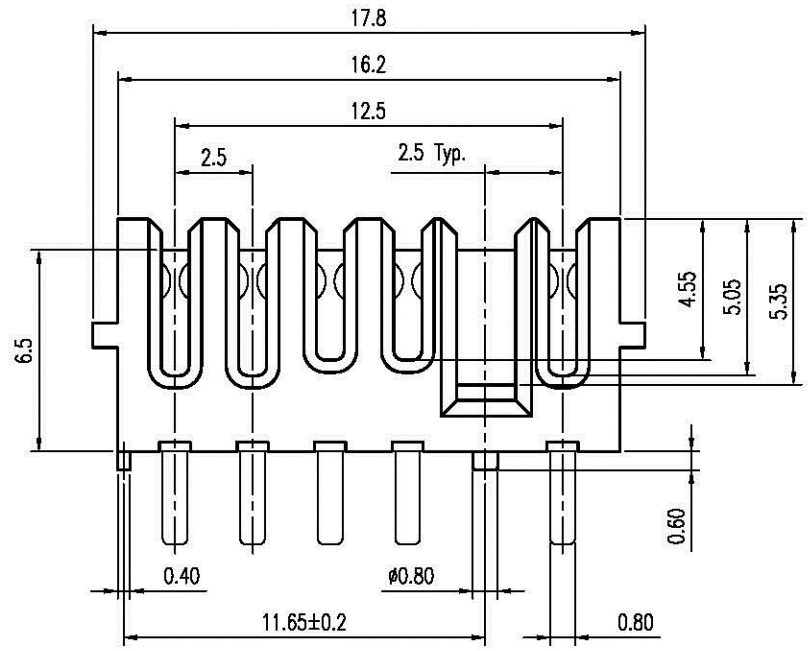
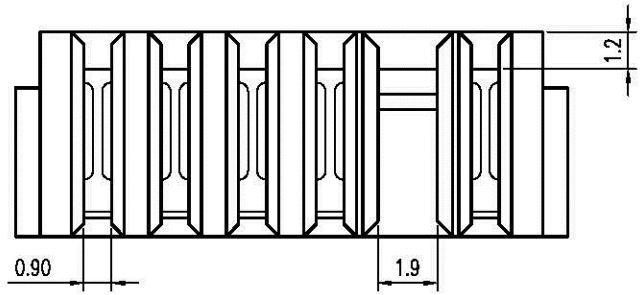
T SB0-13 C 52-10T X

T : RoHS (for High Temperature)

**Type**  
C : With Barricade

**Plating**

- 2 : 2u" Min. Gold on Contact Area
- 3 : 5u" Min. Gold on Contact Area
- B : 30u" Min. Gold on Contact Area



**Recommended P.C.B. Layout**  
Layout Tolerance = ± 0.05 mm

DIMENSION IN mm [inch]		All Connectors www.allconnectors.com Tel: 0348 711 7089/903 Fax: 0348 711 7089/904 Email: info@allconnectors.com	Title		Scale: 4 : 1
Tolerance unless otherwise specified			2.5mm Pitch Battery Conn. Female Type		
X. ± 0.38	X.' ± 10'	Dwg No. TSBO-13C52-10TX		Rev : A	
X.X ± 0.25	X.X' ± 5'	File No. P07007		Sheet: 1 / 1	
X.XX ± 0.15	X.XX' ± 2'	CUSTOMER DRAWING			
X.XXX ±	X.XXX' ±	Approver:	Checker:	Drawer: LeoLiou 10/08/2009	