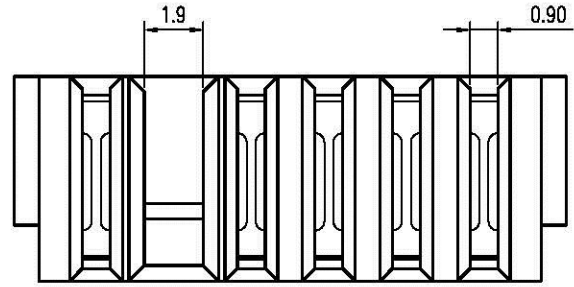


REV.	DESCRIPTION	ECN NO.	DATE	DRAWER
A	New Release		01/08/2008	Jeff
B	Add Plating Type \triangle x1	EC0809016	09/04/2008	Jeff

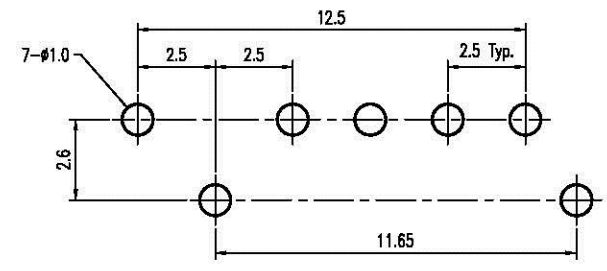
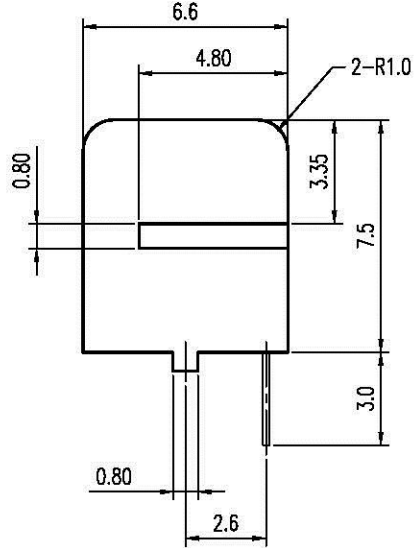
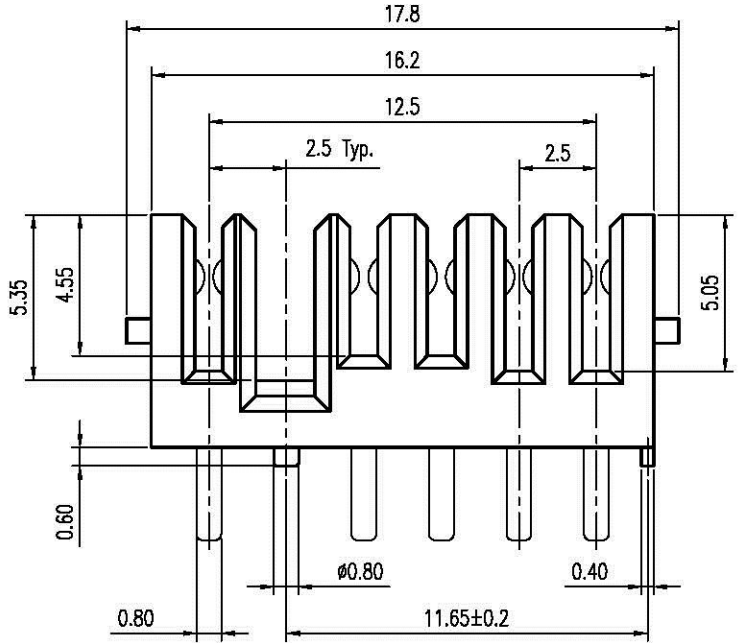


Notes:

- Material :
Housing : Thermoplastic UL 94V-0, Black
Terminal : Copper Alloy
- Finish :
Terminal : Selected Gold on Contact Area, Gold Flash on Solder Tails, Both over 40u" Min. Ni Under-plated Overall
- Corresponding Products :
Male Contact Pin Thickness: 0.7mm
- Order Information :

T SBO-13552-10T X
Plating
2 : 2u" Min. Gold on Contact Area
3 : 5u" Min. Gold on Contact Area
 \triangle 8 : 30u" Min. Gold on Contact Area

T : RoHS (for High Temperature)



Recommended P.C.B. Layout
Layout Tolerance = ± 0.05 mm

DIMENSION IN mm [inch]		All Connectors		Title 2.5mm Pitch Battery Conn. Female Type		Scale: 4 : 1	
Tolerance unless otherwise specified		www.allconnectors.com info@allconnectors.com		Dwg No. TSB0-13552-10TX		Size: A 4	
X. ± 0.38	X.' $\pm 10'$	TEL: 848-444-2288 FAX: 848-444-2089		File No. P07007		Rev : B	
X.X ± 0.25	X.X' $\pm 5'$	70704 Filderslack - Ge. many		CUSTOMER DRAWING		Sheet: 1 / 1	
X.XX ± 0.15	X.XX' $\pm 2'$	Approver:		Checker:		Drawer: Jeff	
X.XXX \pm	X.XXX' \pm					09/04/2008	