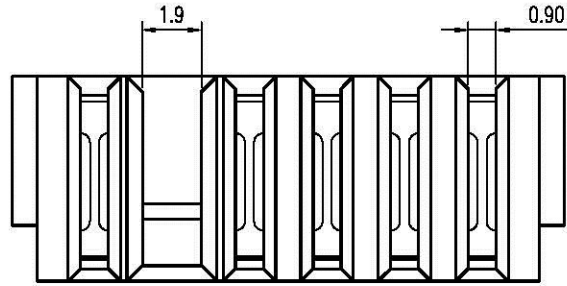


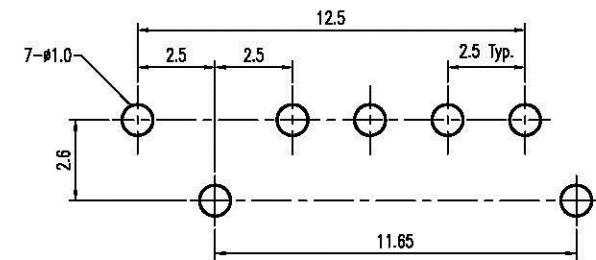
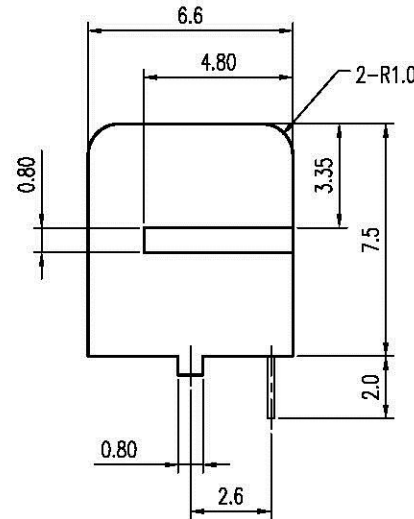
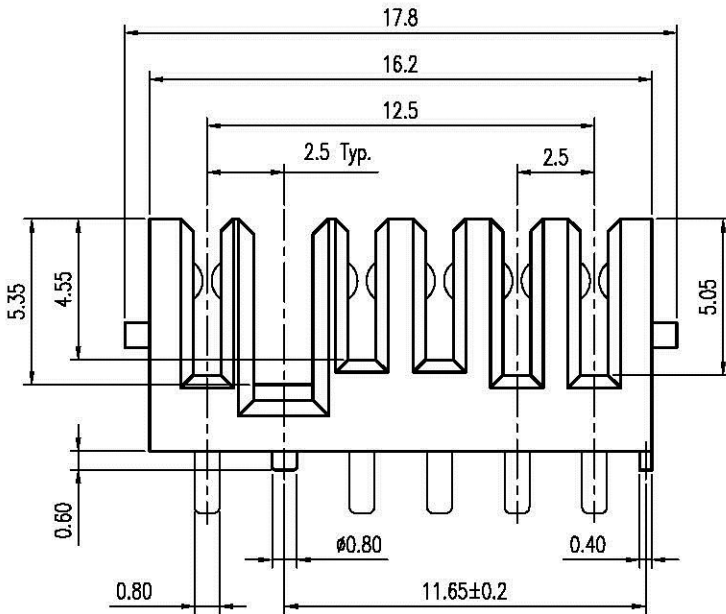
REV.	DESCRIPTION	ECN NO.	DATE	DRAWER
A	New Release		08/13/2007	Jeff



Notes:

- Material :
Housing : Thermoplastic UL 94V-0, Black
Terminal : Copper Alloy
- Finish :
Terminal : Selected Gold on Contact Area, Gold Flash on Solder Tails, Both over 40u" Min. Ni Under-plated Overall
- Corresponding Products :
Male Contact Pin Thickness: 0.7mm
- Order Information :

T SB0-13551-10T X
Plating
T : RoHS (for High Temperature)
2 : 2u" Min. Gold on Contact Area
3 : 5u" Min. Gold on Contact Area



Recommended P.C.B. Layout
Layout Tolerance = ± 0.05 mm

DIMENSION IN mm [inch]		All Connectors	Title 2.5mm Pitch Battery Conn. Female Type	Scale: 4 : 1
Tolerance unless otherwise specified				
X.	± 0.38	X.' ± 10'	Dwg No. TSBO-13551-10TX	Size: A 4
X.X	± 0.25	X.X' ± 5'	File No. PO7007	Rev : A
X.XX	± 0.15	X.XX' ± 2'	Apprver:	Sheet: 1 / 1
X.XXX	±	X.XXX' ±	Checker:	Drawer: Jeff
				08/13/2007