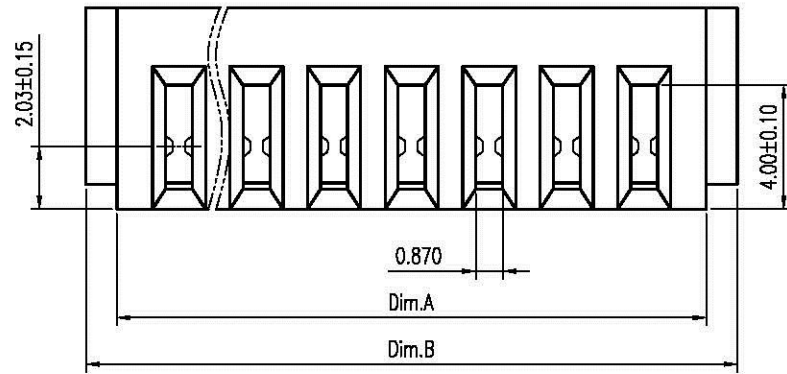


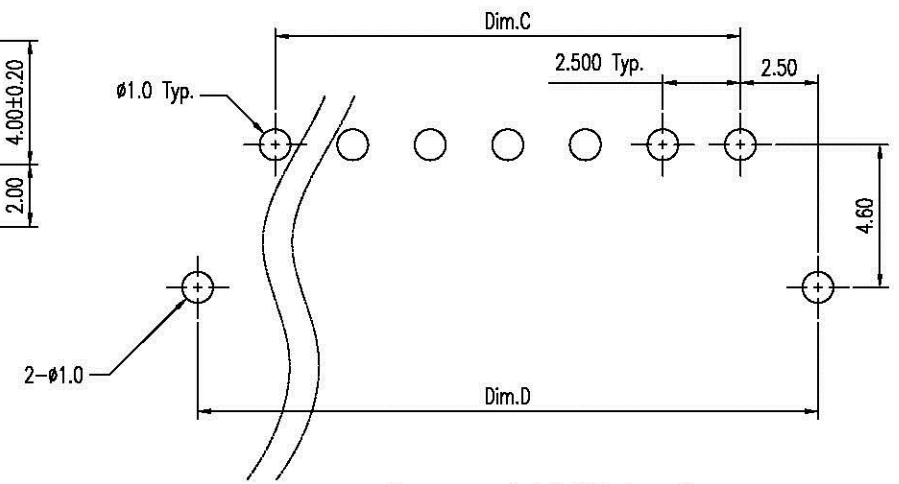
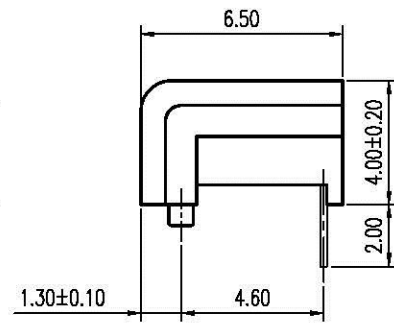
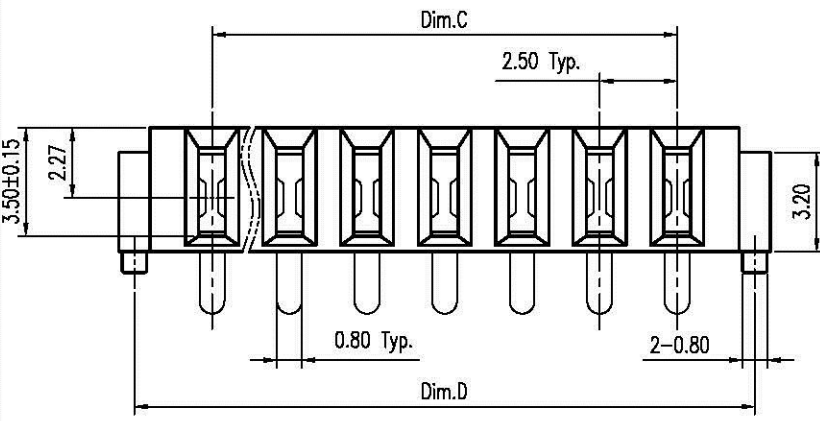
REV.	DESCRIPTION	ECN NO.	DATE	DRAWER
A	New Release		05/06/2008	Alan



Notes:

- Material :
Housing : Thermoplastic UL 94V-0, Black
Terminal : Copper Alloy
- Finish :
Terminal : Selected Gold on Contact Area, Gold Flash on Solder Tails, Both over 30u" Min. Ni Under-plated Overall
- Order Information :

TSB0-041 X 1-00T X	
Amount of Pins	Plating
3 : 3 Pins	2 : 2u" Min. Gold on Contact Area
7 : 7 Pins	3 : 5u" Min. Gold on Contact Area



Recommended P.C.B. Layout
Layout Tolerance = ± 0.05 mm

Part No.	Dim.	Dim.A	Dim.B	Dim.C	Dim.D
TSB0-04131-00TX	9.00	11.00	5.00	10.00	
TSB0-04171-00TX	19.00	21.00	15.00	20.00	

DIMENSION IN mm [inch]			Title 2.5mm Pitch Battery Conn. Female Type Dwg No. TSB0-041X1-00TX File No. PO4010
Tolerance unless otherwise specified			
X. ±	X.' ± 10'	www.allconnectors.de Tel: 0049 711 7065503 Fax: 0049 711 7065504 info@allconnectors.de Ketschweg 22	Scale: 4 : 1
X.X ± 0.38	X.X' ± 5'		Size: A 4
X.XX ± 0.25	X.XX' ± 2'		Rev : A
X.XXX ± 0.13	X.XXX' ±		Sheet: 1 / 1
CUSTOMER DRAWING		Appraver:	Checker:
		Drawer: Alan 05/06/2008	

