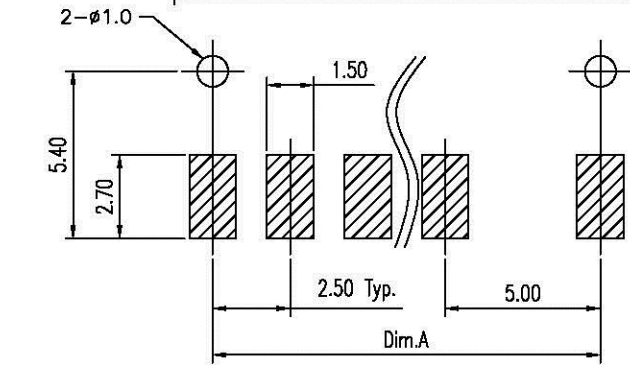
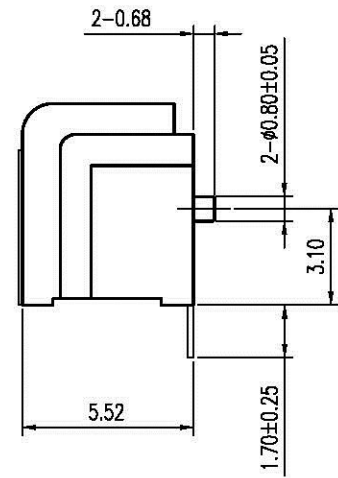
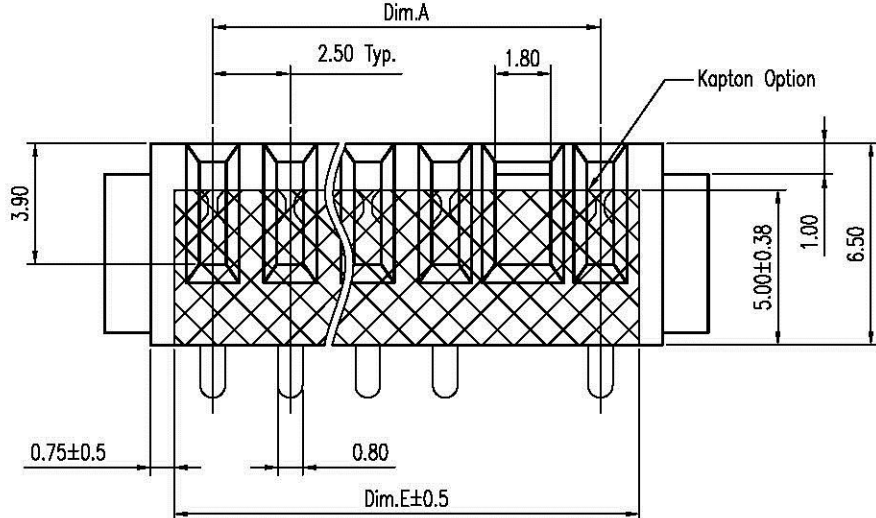
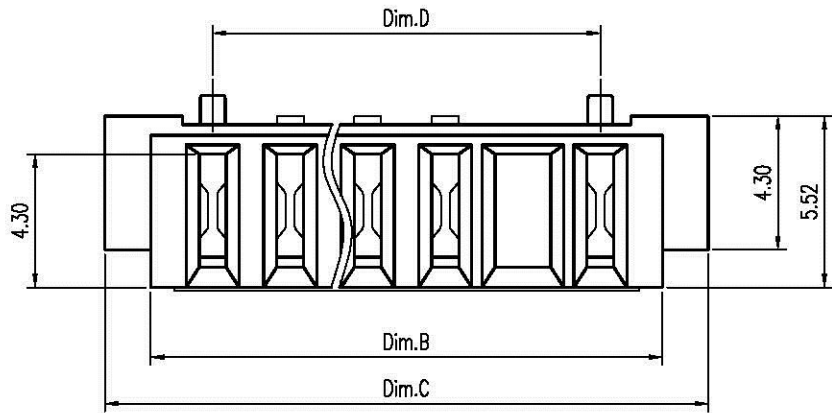


REV.	DESCRIPTION	ECN NO.	DATE	DRAWER
A	New Released		06/18/2010	Hyde



Recommended P.C.B. Layout
Layout Tolerance = ± 0.05 mm

Notes :

- Material :**
Housing : Thermoplastic , UL 94V-0
Terminal : Copper Alloy , T=0.2±0.01
- Finish :**
Terminal : Selected Gold on Contact Area, Gold Flash on Solder Tails, Both Over 50u" Min. Ni Under-plated Overall

3. Order Information :

T SB0-033 X 4-00 X X A
T : RoHS(for High Temperature)

Amount of Pins

- 3 : 3 Pins
- 2 : 2
- A : 10 Pins

Packing

- T : Tube
- R : Tape & Reel
(Only for TSBO-03374-00RXX)
- 1 : Tube with Kapton
(Only for TSBO-03374-001XA)
- 2 : Tape & Reel with Kapton
(Only for TSBO-03374-002XA)

Plating

- 2 : 2u" Min. Gold on Contact Area
- 3 : 5u" Min. Gold on Contact Area
- 4 : 10u" Min. Gold on Contact Area
- 5 : 15u" Min. Gold on Contact Area
- 8 : 30u" Min. Gold on Contact Area

Dimension Information:

Part No.	Dim. of Pins	Dim.A	Dim.B	Dim.C	Dim.D	Dim.E
TSBO-03334-00XXA	3	7.5	11.5	14.45	7.50	---
TSBO-03344-00XXA	4	10.0	14.0	16.95	10.00	---
TSBO-03354-00XXA	5	12.5	16.5	19.45	12.50	---
TSBO-03364-00XXA	6	15.0	19.0	21.95	15.00	---
TSBO-03374-00XXA	7	17.5	21.5	24.45	17.50	20.0
TSBO-03384-00XXA	8	20.0	24.0	26.95	20.00	---
TSBO-03394-00XXA	9	22.5	26.5	29.45	22.50	---
TSBO-033A4-00XXA	10	25.0	29.0	31.95	25.00	---

DIMENSION IN mm [inch]	
Tolerance unless otherwise specified	
X. ±	X.' ± 10'
X.X ± 0.38	X.X' ± 5'
X.XX ± 0.25	X.XX' ± 2'
X.XXX ± 0.13	X.XXX' ±

Allconnectors
www.allconnectors.de info@allconnectors.de
Tel: +49 69 711 2090-0 Fax: +49 69 711 2090-20
70724 Filderstadt - Germany kette.merstr. 25

Title	2.5mm Pitch Battery Conn. Female Type
Dwg No.	TSBO-033X4-00XXA
File No.	PO3029
Apprver:	Checker:
Drawer: Hyde	
06/18/2010	

Scale: 4 : 1
Size: A 4
Rev : A
Sheet: 1 / 1