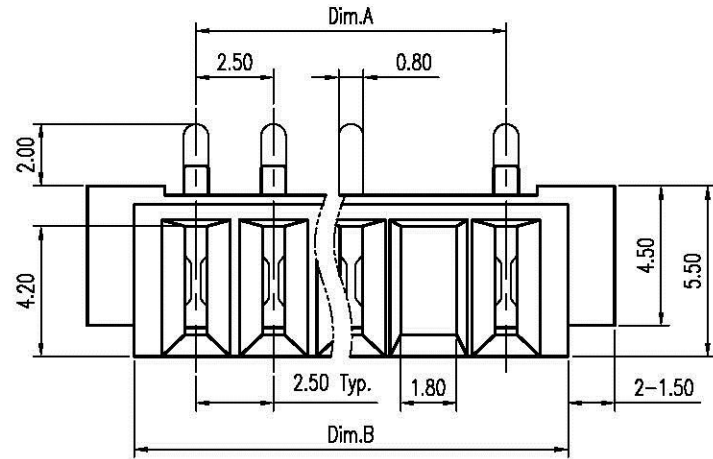


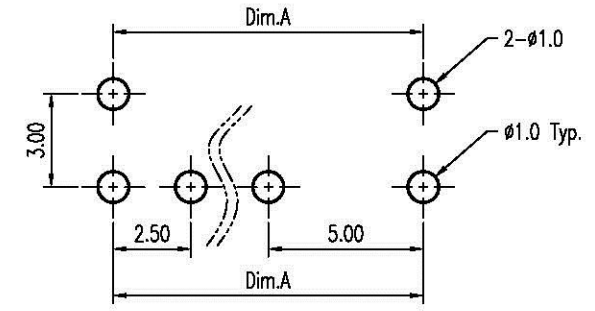
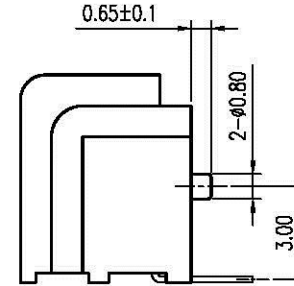
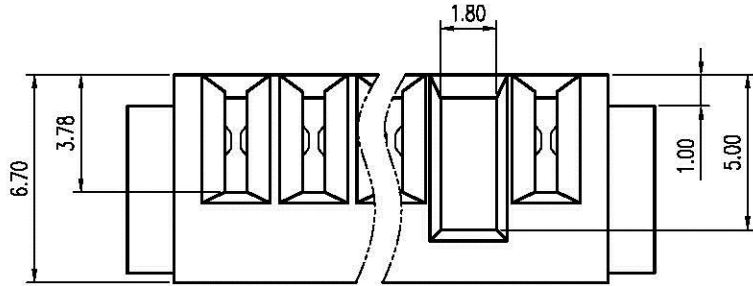
REV.	DESCRIPTION	ECN NO.	DATE	DRAWER
A	New Release		02/26/2007	Alan



Notes:

- Material :
Housing : Thermoplastic UL 94V-0, Black
Terminal : Copper Alloy
- Finish :
Terminal : Selected Gold on Contact Area, Gold Flash on Solder Tails, Both over 50u" Min. Ni Under-plated Overall
- Order Information :
TSB0-021 X 2-10T X

Amount of Pins	Plating
3 : 3 Pins	2 : 2u" Min. Gold on Contact Area
5 : 5	3 : 5u" Min. Gold on Contact Area
A : 10 Pins	5 : 15u" Min. Gold on Contact Area
	8 : 30u" Min. Gold on Contact Area



Recommended P.C.B. Layout
Layout Tolerance = ± 0.05 mm

Part No.	Dim.	Dim.A	Dim.B
TSB0-02132-10TX	7.50	11.50	
TSB0-02142-10TX	10.00	14.00	
TSB0-02152-10TX	12.50	16.50	
TSB0-02162-10TX	15.00	19.00	
TSB0-02172-10TX	17.50	21.50	
TSB0-02182-10TX	20.00	24.00	
TSB0-02192-10TX	22.50	26.50	
TSB0-021A2-10TX	25.00	29.00	

DIMENSION IN mm [inch]	
Tolerance unless otherwise specified	
X. ±	X.' ± 10'
X.X ± 0.38	X.X' ± 5'
X.XX ± 0.25	X.XX' ± 2'
X.XXX ± 0.13	X.XXX' ±

All Connectors
 www.allconnectors.de
 info@allconnectors.de
 Tel.: 0049 711 7609008
 Fax: 0049 711 7609004
 70794 Ellwangen Germany
 Kottenhorst 25

CUSTOMER DRAWING
 Approver: _____
 Checker: _____

Title: 2.5mm Pitch Battery Conn. Female Type
 Dwg No. TSB0-021X2-10TX
 File No. P01009
 Drawer: Alan
 02/26/2007

Scale: 1 : 1
 Size: A 4
 Rev : A
 Sheet: 1 / 1