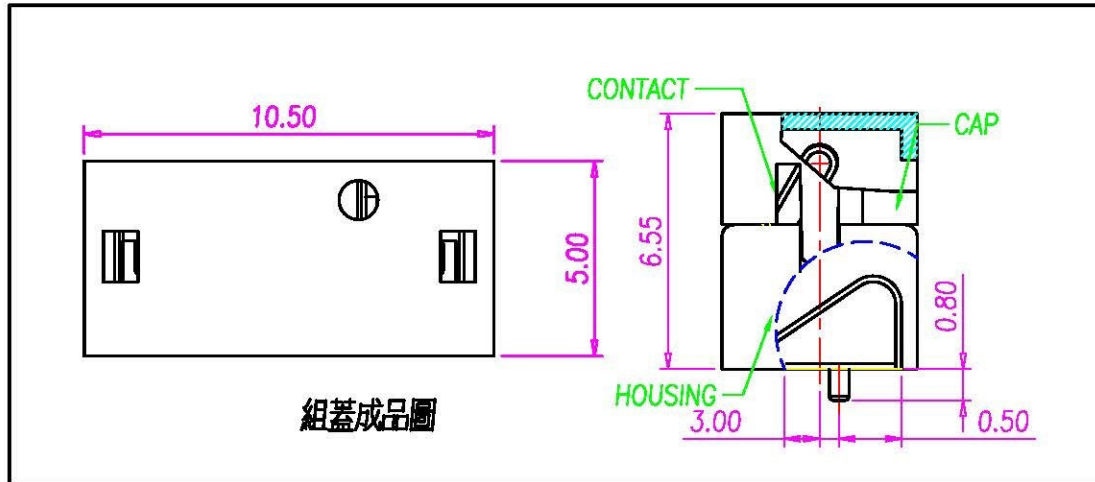
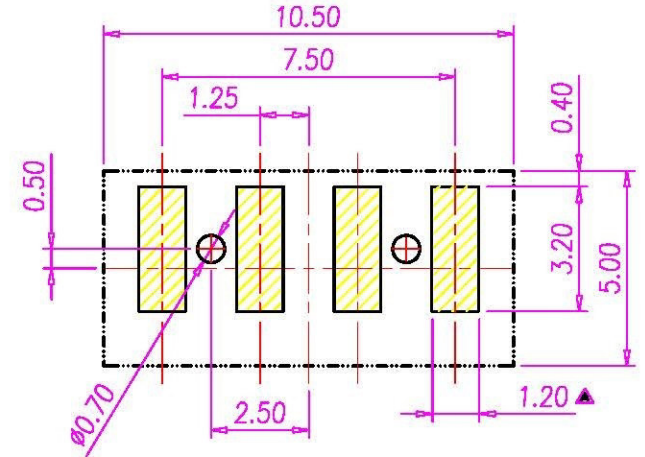
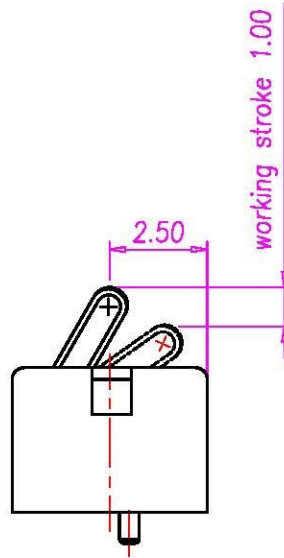
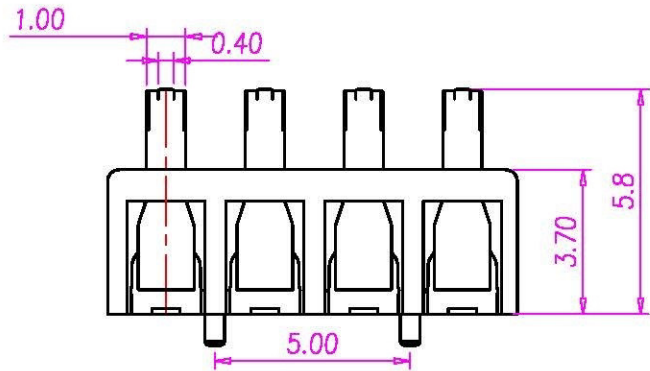
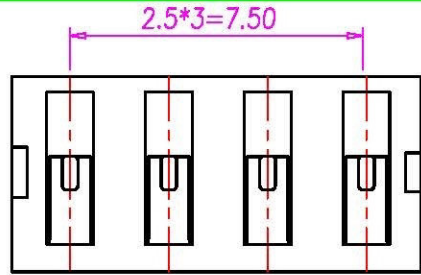


This document is the property of Nian-Yeong Corporation and is delivered on the express condition that it is not to be disclosed, reproduced or used, in whole or in part, for manufacture or sale by anyone other than Nian-Yeong Corporation without its prior consent, and that no right is granted to disclose or to use any information in this document.

CUSTOMER DRAWING

REV.	DESCRIPTION	APPROVED BY	DATE	ECN NO.
A	RELEASE	Fido Veng	22/12/08	
B				
C				



NOTE :

- MATERIAL :
 - HOUSING : LCP UL94V-0 ; COLOR : BLACK
 - CONTACT : BERYLLIUM COPPER
 - CAP : LCP UL94V-0 ; COLOR : BLACK
- FINISH :
 - CONTACT A : 30 MICRO INCHES MIN. GOLD PLATED
UNDER PLATE : NICKEL
- ELECTRICAL SPECIFICATION :
 - Rated current : 1.5A
 - Voltage : 125V
- Environmental :
 - Operation Temperature : -40°C~105°C

DRAWN	Yeh Chou	APPEND	Emily Suen	UNIT	mm	TOLERANCE			All Connectors www.allconnectors.com Tel: 0049 711 700503 70724 Hilderstact - Germany	info@allconnectors.com Fax: 0049 711 700501 kettenstr. 25	TITLE	4PIN 间距5.8mm			SHEET	
CHKD	Emily Suen			SCALE	1:1	x ±0.20 xx ±0.10 xxx ±0.05 xxx ±0.03 ANGULA ±1°					PART NO.	HD-04F2-02	DWG NO.	QC2755	VERSION	