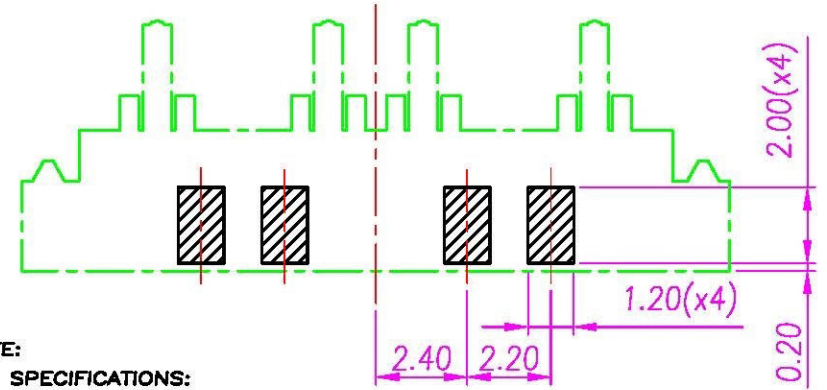
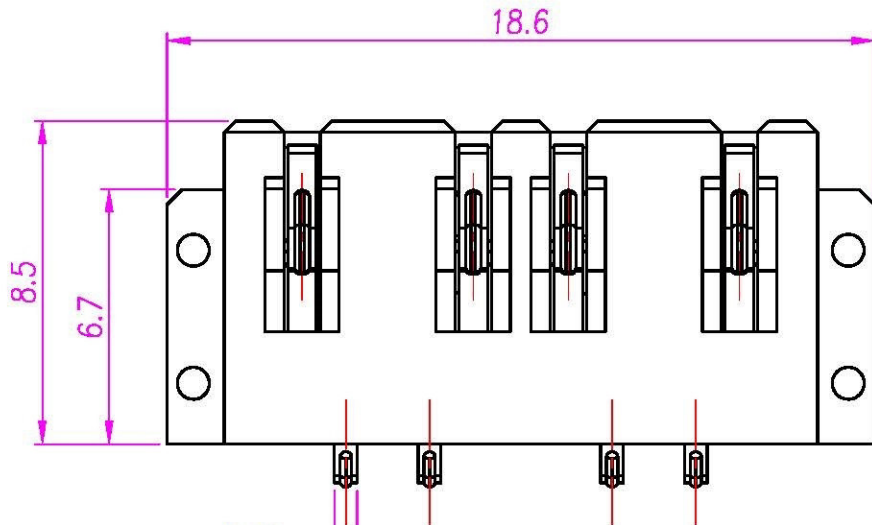


This document is the property of Nan-Yeong Corporation and is delivered on the express condition that it is not to be disclosed, reproduced or used, in whole or in part, for manufacture or sale by anyone other than Nan-Yeong Corporation without its prior consent, and that no right is granted to disclose or to use any information in this document.

# CUSTOMER DRAWING

REV.	DESCRIPTION	APPROVED BY	DATE	ECN NO.
A	RELEASE	Fido Veng	12/06/09*	
B	RELEASE TO PRODUCTION	Fido Veng	05/07/09*	ECN09094
C				



**NOTE:**

**SPECIFICATIONS:**

**1. ELECTRICAL REQUIREMENTS:**

- 1-1 RATED CURRENT: 1.5 A.
- 1-2 RATED VOLTAGE: 125V DC.
- 1-3 INSULATION RESISTANCE: 8 MEGAOHMS Min.
- 1-4 CONTACT RESISTANCE Max: 50 MILLIOHMS.

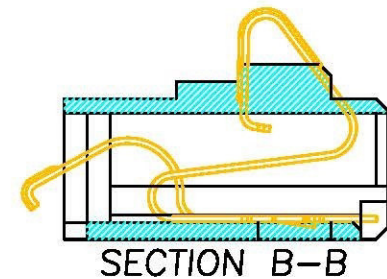
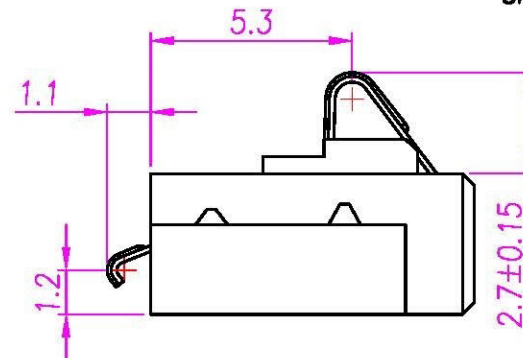
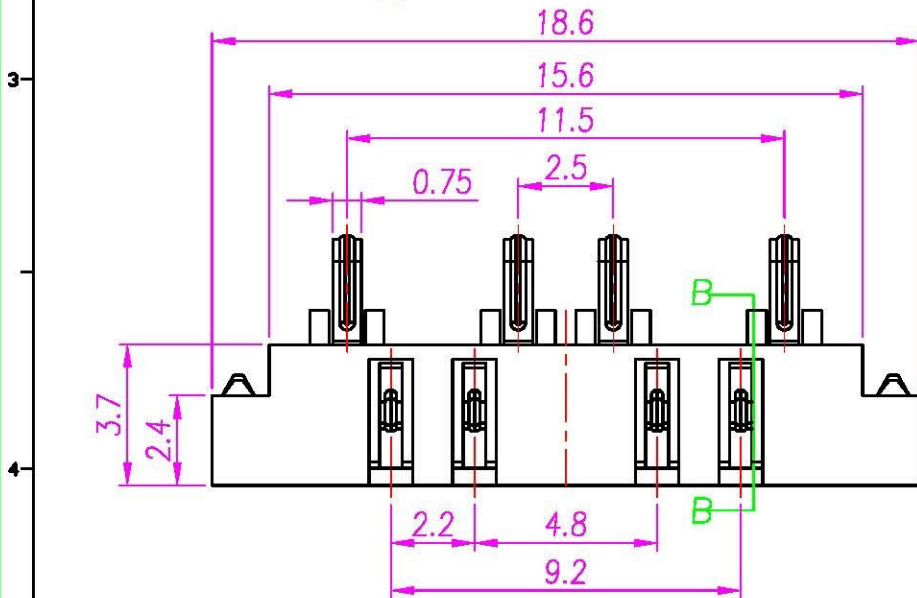
PCB LAYOUT

**2. MATERIAL:**

- 2-1 TERMINA: PHOSPHOR BRONZE.
- 2-2 HOUSING: NYLON

**3. PLATING:**

- 3-1. PLATING: GOLD 30u" ON CONTACT AREA, UNDERPLATED NICKEL 60u" MIN OVER ALL.



DRAWN	Yeh Chou	APPEND	Emly Suen	UNIT	mm	TOLERANCE			TITLE	NOKIA 3310 连接器				
CHOKED	Emly Suen			SCALE	1:1	X ±0.20 XX ±0.10 XXX ±0.05 XXXX ±0.03 ANGULA ±1°			www.allconnectors.de TEL: 0049 711 7009510 70704 Tils Ebstadt - Germany	info@allconnectors.de FAX: 0049 711 7009504 kettenstr. 25	PART NO.	HD-04F2-01		DWG NO.