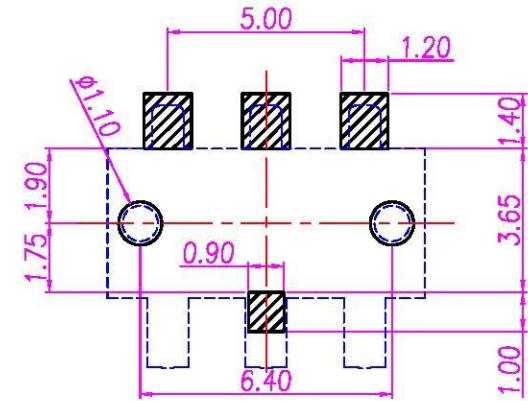
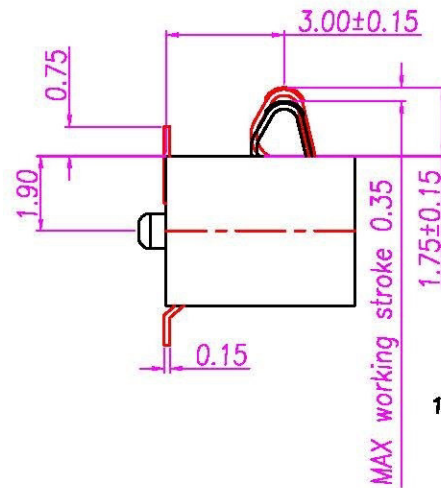
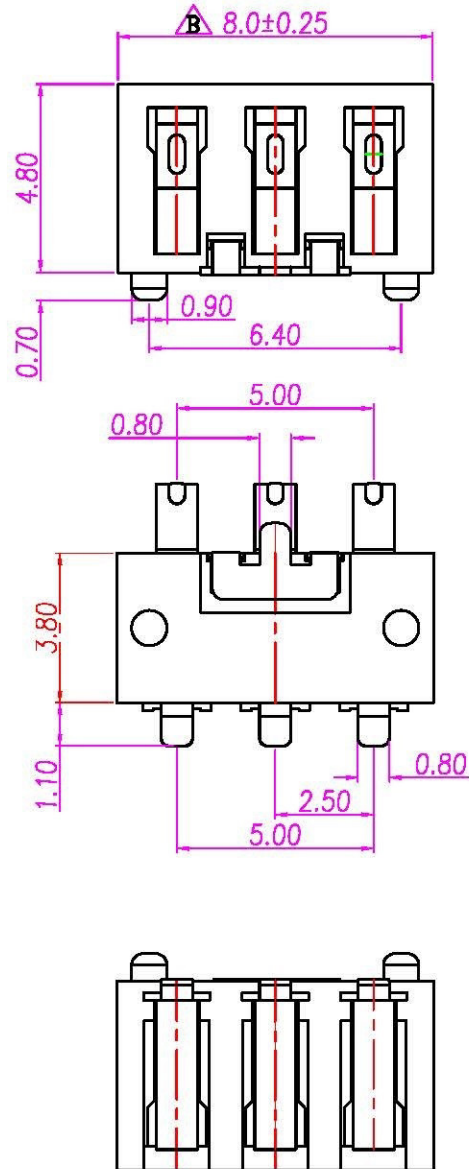


This document is the property of Nan-Yeong Corporation and is delivered on the express condition that it is not to be disclosed, reproduced or used, in whole or in part, for manufacture or sale by anyone other than Nan-Yeong Corporation without its prior consent, and that no right is granted to disclose or to use any information in this document.

CUSTOMER DRAWING

REV.	DESCRIPTION	APPVL. BY	DATE	ECN NO.
A	RELEASE	Fido Weng	03/04/09	
B	CHANGE TOLERANCE	Fido Weng	06/07/10	
C				



RECOMMENDED P.C.B LAYOUT

- MATERIAL :
 - HOUSING : PA9T UL94V-0 ; COLOR : BLACK
 - CONTACT : BERYLLIUM COPPER
 - GROUND : PHOSPHOR BRONZE
- FINISH :
 - CONTACT AREA : 30 MICRO INCHES MIN. GOLD PLATED
 - UNDER PLATE : NICKEL
- ELECTRICAL SPECIFICATION :
 - Rated current : 1.5A
 - Voltage : 125V
- Environmental :
 - Operation Temperature : -40°C~105°C

DRAW	Yeh Chou	APPVL	Fido Weng	UNIT	mm	TOLERANCE			TITLE 3PIN 连接器 (IPOD 專用)	SHEET 2
CHECK	Emily Suen	SCALE	1:1	X ±0.20 XX ±0.10 XXX ±0.05 XXXX ±0.03 ANGULA ±1°	www.allconnectors.com.de Tel: 0049 431 4035008 42694 Hildenstadt - Germany	info@allconnectors.com.de Fax: 0049 431 4035001 Kettnerstr. 25				