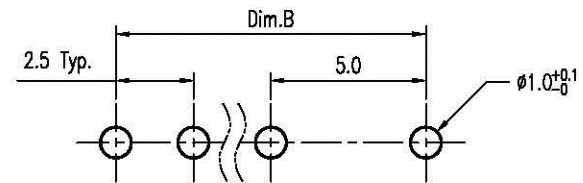


REV.	DESCRIPTION	ECN NO.	DATE	DRAWER
A	New Release		06/12/2002	Ben
B	Modified by Customer Design	EC0507011	07/11/2005	Aaron

Notes:

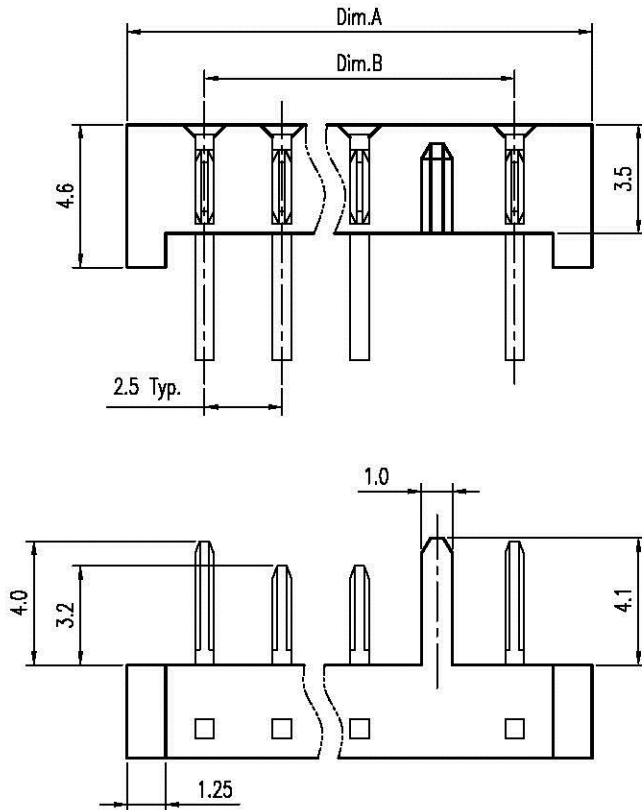
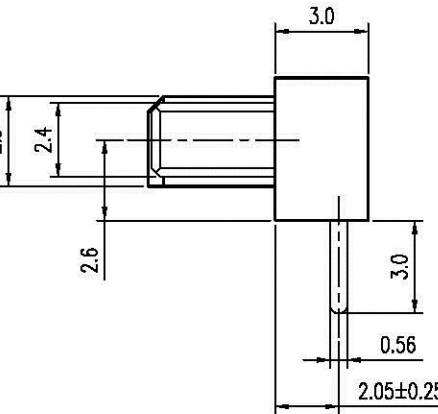
- Material :
Housing : Thermoplastic UL 94V-0
Terminal : Copper Alloy
 - Finish :
Terminal : Selected Gold on Contact Area, 1u" Min. Gold on Solder Tails, Both over 50u" Min. Ni Under-plated Overall
 - Order Information :
X SB1-041 X 2-0JT X
- T : Lead Free
Blank : None Lead Free
- Amount of Pins**
3 : 3 Pins
2
9 : 9 Pins
A : 10 Pins
- Plating**
2 : 2u" Min. Gold on Contact Area
3 : 5u" Min. Gold on Contact Area



Recommended P.C.B. Layout
Layout Tolerance = ± 0.05 mm

Dimension Information:

Part No.	Dim.	Dim.A	Dim.B
XSB1-04132-0JTX	12.5	7.5	
XSB1-04142-0JTX	15.0	10.0	
XSB1-04152-0JTX	17.5	12.5	
XSB1-04162-0JTX	20.0	15.0	
XSB1-04172-0JTX	22.5	17.5	
XSB1-04182-0JTX	25.0	20.0	
XSB1-04192-0JTX	27.5	22.5	
XSB1-041A2-0JTX	30.0	25.0	



DIMENSION IN mm [inch]	
Tolerance unless otherwise specified	
X. ± 0.38	X.' $\pm 10'$
X.X ± 0.25	X.X' $\pm 5'$
X.XX ± 0.13	X.XX' $\pm 2'$
X.XXX \pm	X.XXX' \pm

All Connectors

www.allconnectors.de
Tel: 0349 711 7005303
70794 Filzschnee Germany

info@allconnectors.de
Fax: 0349 711 7009004
kct@connectors.de

CUSTOMER DRAWING

Approver: _____
Checker: _____

Title	2.5mm Pitch Battery Conn. Male Type
Dwg No.	OSB1-04102-0JTO
File No.	PO3014
Drawer:	Aaron
Date:	07/11/2005

Scale:	4 : 1
Size:	A 4
Rev :	B
Sheet:	1 / 1