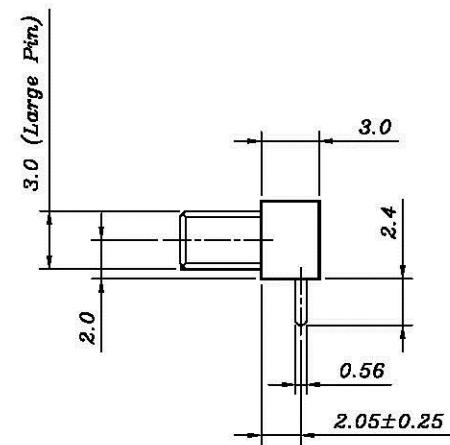
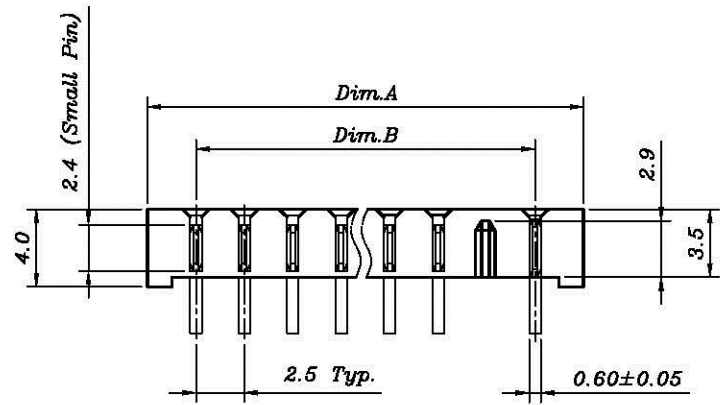
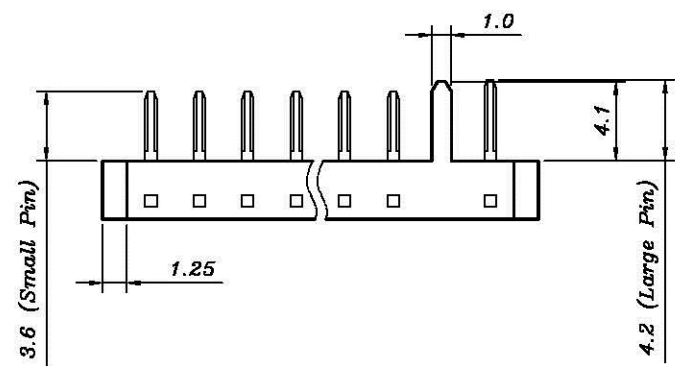


REV	MODIFICATION	DATE	DRAW	APPROVE
A	New Release	05/13/2005	Aaron	Giordano

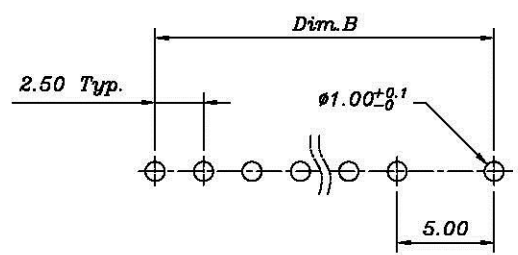


Notes:

- 1. Material :
Housing : Thermoplastic , UL 94V-0
Terminal : Copper Alloy
 - 2. Finish :
Terminal : Selected Gold on Contact Area , 1u"
Min. Gold on Solder Tail , Both Over
50u" Min. Ni Under-Plated Overall
 - 3. Order Information :
X SB1-041 X 1-02T X
- Null : Normal
T : Lead Free
- Amount of Pins :
3 : 3 Pins
2 : 2 Pins
9 : 9 Pins
A : A Pins
- Plating Option :
2 : 2u" Min. Gold on Contact Area
3 : 5u" Min. Gold on Contact Area



Part No.	Dim.A	Dim.B
XSB1-04131-02TX	12.5	7.5
XSB1-04141-02TX	15.0	10.0
XSB1-04151-02TX	17.5	12.5
XSB1-04161-02TX	20.0	15.0
XSB1-04171-02TX	22.5	17.5
XSB1-04181-02TX	25.0	20.0
XSB1-04191-02TX	27.5	22.5
XSB1-041A1-02TX	30.0	25.0



Recommended P.C.B. Layout
Layout Tolerance= ±0.05 mm

DIMENSION IN mm [inch]		Allconnectors		Title 2.5 mm Pitch Battery Conn. Male Type		
Tolerance unless otherwise specified		www.allconnectors.de info@allconnectors.de		Dwg No. OSB1-04101-02T0		
X.	± 0.38	X.'	± 10'	File No. P02028		Scale: 2.5 : 1
X.X	± 0.25	X.X'	± 5'	Approve: _____ Check: _____ Draw: Aaron		Size: A4
X.XX	± 0.13	X.XX'	± 2'			Rev : A
X.XXX	±			05/13/2005		Sheet: 1 / 1