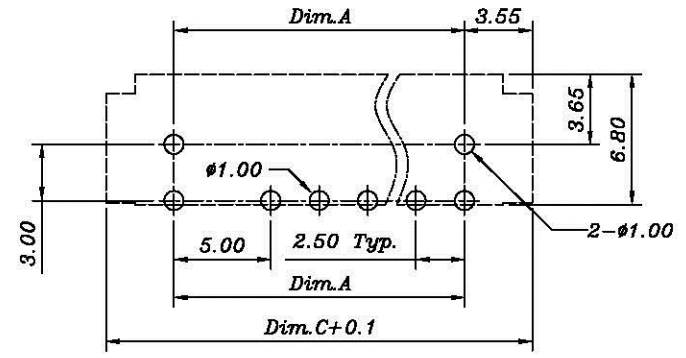
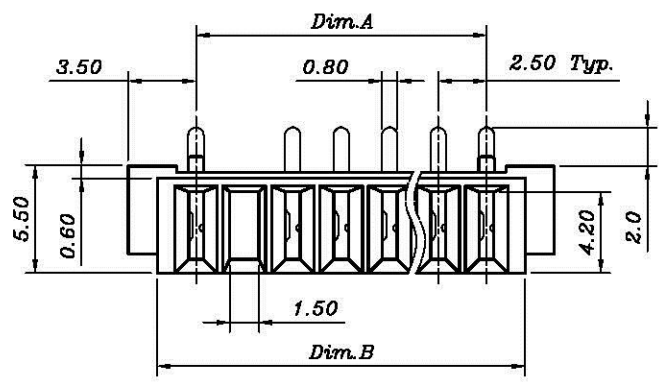
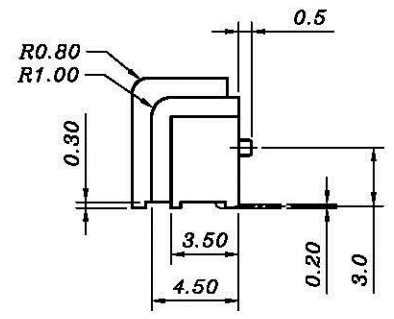
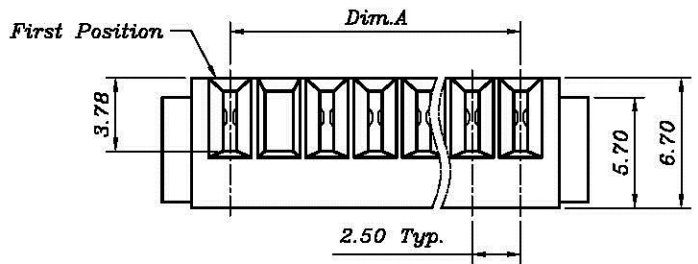


REV	MODIFICATION	DATE	DRAW	APPROVE
A	New Release	04/04/2002	Ben	Giordano
B	EC0504007	05/11/2005	Jeff	Ben



Recommended P.C.B. Layout
Layout tolerance : ±0.05 mm



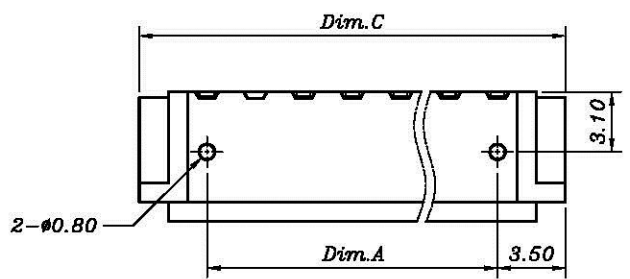
Notes :

- Material :**
Housing : Thermoplastic , UL 94V-0
Terminal : Copper Alloy
- Finish :**
Terminal : Selected Gold On Contact Area, Gold Flash On Solder Tails, Both Over 30u" Min. Ni Under-Plated Overall.
- Order Information :**

X SB0-052 X 2-10T X

Plating Option:
2 : 2u" Min. Gold Overall.
3 : 5u" Min. Gold Overall.
Amount of Pins:
3 : 3 Pins
2 : 2
A : 10 Pins

T : Lead Free
N/A : Normal



Part No.	Dim.A	Dim.B	Dim.C
XSBO-05232-10TX	7.5	11.5	14.6
XSBO-05242-10TX	10.0	14.0	17.0
XSBO-05252-10TX	12.5	16.5	19.5
XSBO-05262-10TX	15.0	19.0	22.0
XSBO-05272-10TX	17.5	21.5	24.5
XSBO-05282-10TX	20.0	24.0	27.0
XSBO-05292-10TX	22.5	26.5	29.5
XSBO-052A2-10TX	25.0	29.0	32.0

DIMENSION IN mm [inch]		All connectors		Title 2.5 mm Pitch Battery Conn. Female (R/A Type)	
Tolerance unless otherwise specified		www.allconnectors.com TEL: 0648 711 7092/3 20,95 Ludwigskamp - Germany		Dwg No. OSBO-05202-10T0	
X.	± 0.38	X'	± 10'	Scale: 1 : 1	
X.X	± 0.25	X.X'	± 5'	Size: A4	
X.XX	± 0.13	X.XX'	± 2'	File No. N/A	
X.XXX	±	CUSTOMER DRAWING		Rev : B	
Approve:		Check:		Draw: Jeff 05/11/2005	
				Sheet: 1 / 1	