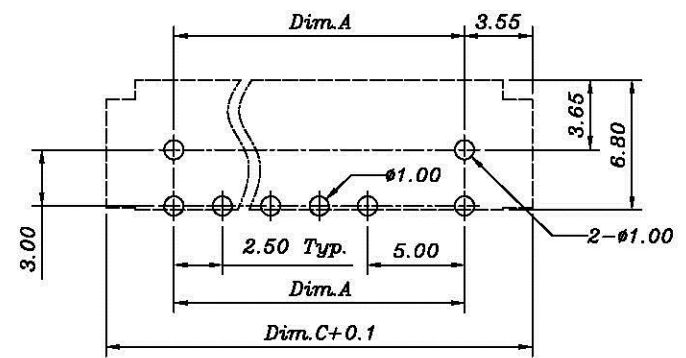
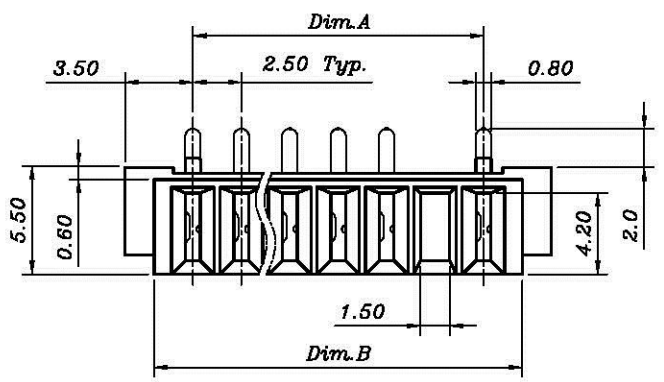
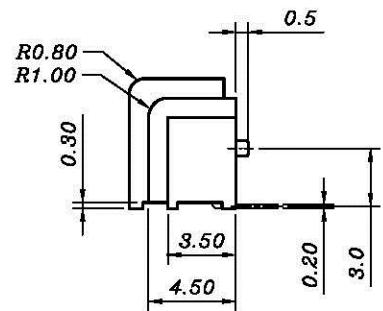
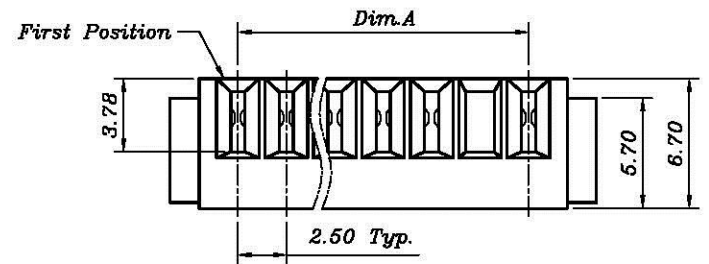


REV	MODIFICATION	DATE	DRAW	APPROVE
A	New Release	04/04/2002	Ben	Giordano
B	EC0504007	05/11/2005	Jeff	Ben



Recommended P.C.B. Layout
Layout tolerance : ±0.05 mm



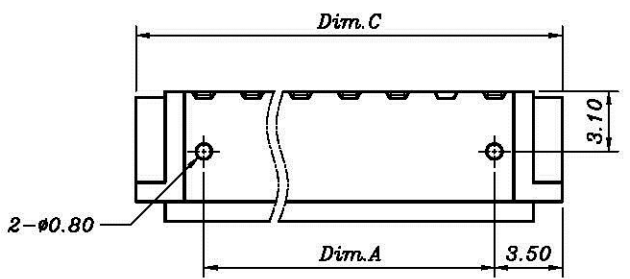
Notes :

- Material :**
Housing : Thermoplastic , UL 94V-0
Terminal : Copper Alloy
- Finish :**
Terminal : Selected Gold On Contact Area, Gold Flash On Solder Tails, Both Over 30u" Min. Ni Under-Plated Overall.
- Order Information :**

X SB0-051 X 2-10T X

Plating Option:
2 : 2u" Min. Gold Overall.
3 : 5u" Min. Gold Overall.
Amount of Pins:
3 : 3 Pins
? : ?
6 : 6 Pins
8 : 8 Pins
? : ?
A : 10 Pins

T : Lead Free
N/A : Normal



Dim.	Part No.	Dim.A	Dim.B	Dim.C
	XSBO-05132-10TX	7.5	11.5	14.5
	XSBO-05142-10TX	10.0	14.0	17.0
	XSBO-05152-10TX	12.5	16.5	19.5
	XSBO-05162-10TX	15.0	19.0	22.0
	XSBO-05172-10TX	17.5	21.5	24.5
	XSBO-05182-10TX	20.0	24.0	27.0
	XSBO-05192-10TX	22.5	26.5	29.5
	XSBO-051A2-10TX	25.0	29.0	32.0

DIMENSION IN mm [inch]			Title 2.5 mm Pitch Battery Conn. Female (R/A Type)					
Tolerance unless otherwise specified					Dwg No. OSBO-05102-10T0	Scale: 2.5:1		
X.	± 0.38	X.'	± 10'	CUSTOMER DRAWING	File No. N/A	Size: A4		
X.X	± 0.25	X.X'	± 5'		Approve:	Check:	Draw: Jeff 05/11/2005	Rev : B
X.XX	± 0.13	X.XX'	± 2'		Sheet: 1/1			
X.XXX	±							