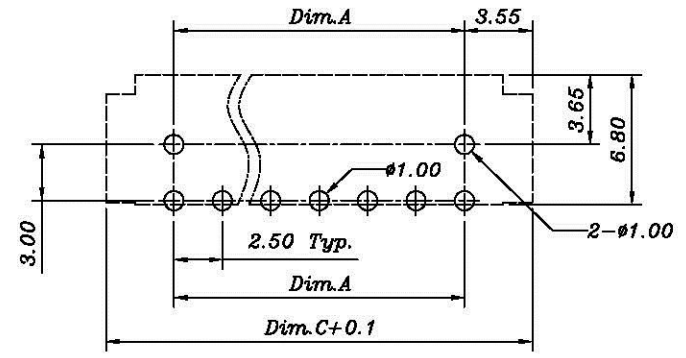
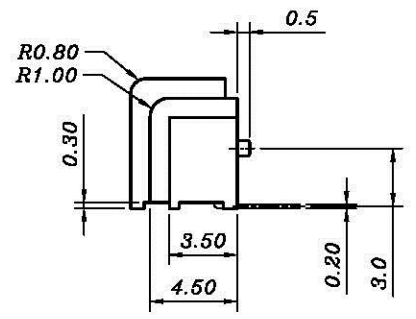
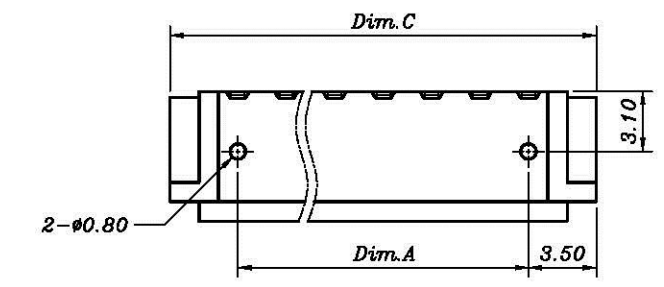
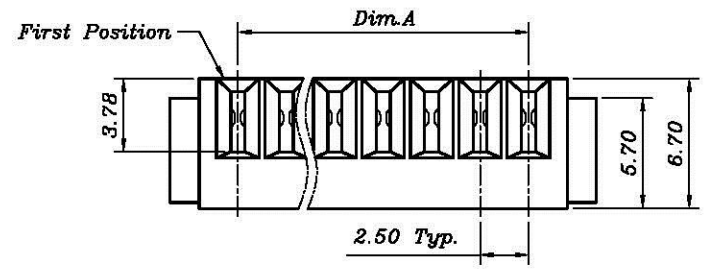
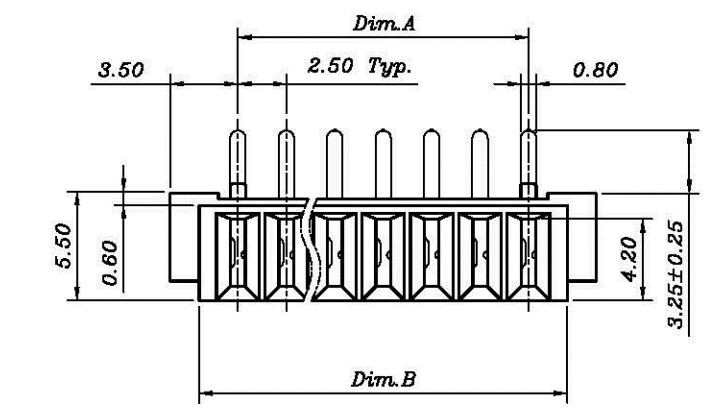


REV	MODIFICATION	DATE	DRAW	APPROVE
A	New Release	04/04/2002	Ben	Giordano
B	EC0504007	05/11/2005	Jeff	Ben



**Recommended P.C.B. Layout**  
Layout tolerance : ±0.05 mm

**Notes :**

- Material :**  
Housing : Thermoplastic , UL 94V-0  
Terminal : Copper Alloy
- Finish :**  
Terminal : Selected Gold On Contact Area, Gold Flash On Solder Tails, Both Over 30u" Min. Ni Under-Plated Overall.
- Order Information :**

X SB0-050 X 4-10T X

**Plating Option:**  
2 : 2u" Min. Gold Overall.  
3 : 5u" Min. Gold Overall.  
**Amount of Pins:**  
4 : 4 Pins  
? : ?  
A : 10 Pins

T : Lead Free  
N/A : Normal

Dim.	Part No.	Dim.A	Dim.B	Dim.C
	<b>XSBO-05044-10TX</b>	7.5	11.5	14.5
	<b>XSBO-05054-10TX</b>	10.0	14.0	17.0
	<b>XSBO-05064-10TX</b>	12.5	16.5	19.5
	<b>XSBO-05074-10TX</b>	15.0	19.0	22.0
	<b>XSBO-05084-10TX</b>	17.5	21.5	24.5
	<b>XSBO-05094-10TX</b>	20.0	24.0	27.0
	<b>XSBO-050A4-10TX</b>	22.5	26.5	29.5

DIMENSION IN mm [inch]			Title <b>2.5 mm Pitch Battery Conn. Female (R/A Type)</b>				
Tolerance unless otherwise specified					Dwg No. <b>OSBO-05004-10T0</b>	Scale: <b>2.5:1</b>	
X.	± 0.38	X'	± 10'	<b>CUSTOMER DRAWING</b>	File No. <b>N/A</b>	Size: <b>A4</b>	
X.X	± 0.25	X.X'	± 5'		Approve:	Check:	Draw: <b>Jeff</b>
X.XX	± 0.13	X.XX'	± 2'		Date: <b>05/11/2005</b>	Rev : <b>B</b>	Sheet: <b>1/1</b>
X.XXX	±				WCO0-4A		