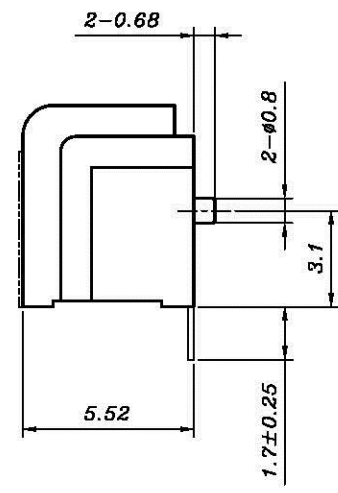
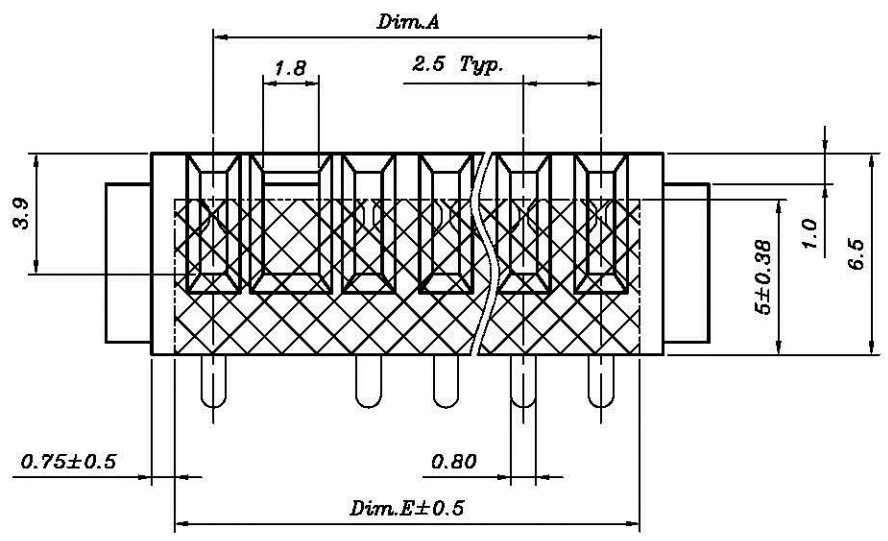
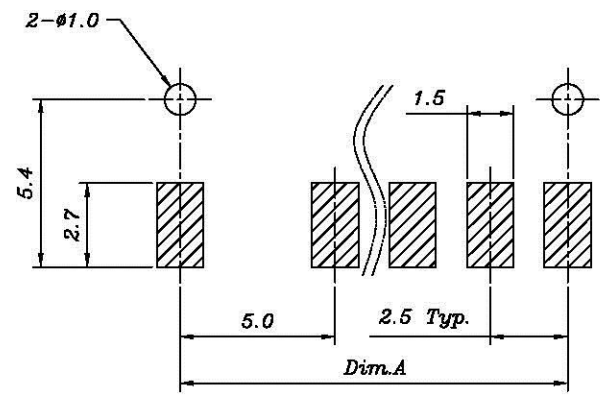
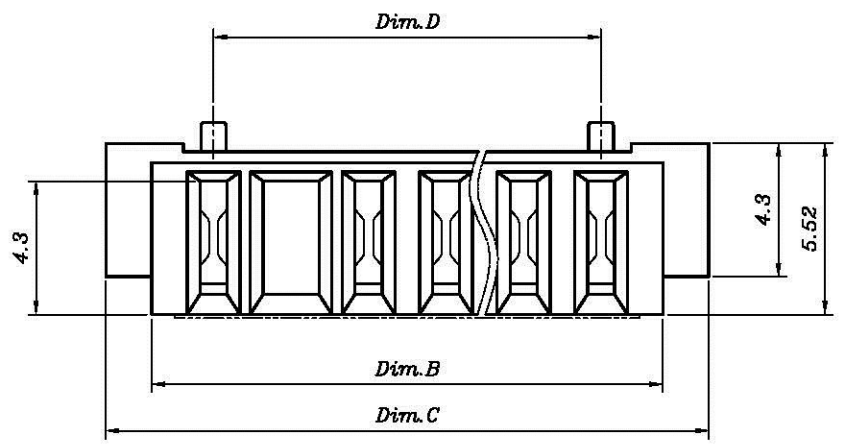


REV	MODIFICATION	DATE	DRAW	APPROVE
A	New Release	10/08/2003	David	Ivan
B	Added Type	03/30/2004	Giordano	Ivan
C	EC0504030	04/22/2005	Tom	Giordano



Recommended P.C.B. Layout
Layout Tolerance = ± 0.05 mm

- Notes :**
- Material :**
Housing : Thermoplastic , UL 94V-0
Terminal : Copper Alloy
 - Finish :**
Terminal : Selected Gold on Contact Area, Gold Flash on Solder Tails, Both Over 50u" Min. Ni Under-plated Overall
 - Order Information :**
X SBO-034 X 4-00 X X
- Plating**
2 : 2u" Min. Gold on Contact Area
3 : 6u" Min. Gold on Contact Area
5 : 15u" Min. Gold on Contact Area
8 : 30u" Min. Gold on Contact Area
- Packing**
T : Tube
R : Tape & Reel (Only for XSB0-03474-00XX)
1 : Tube with Kapton (Only for XSB0-03474-001X)
2 : Tape & Reel with Kapton (Only for XSB0-03474-002X)
- Amount of Pins**
S : 3 Pins
2 : 2
A : 10 Pins
- F : Lead Free**
N/A : Normal

Part No.	Dim.	Dim.A	Dim.B	Dim.C	Dim.D	Dim.E
XSB0-03434-00XX		7.5	11.5	14.45	7.50	--
XSB0-03444-00XX		10.0	14.0	16.95	10.00	--
XSB0-03454-00XX		12.5	16.5	19.45	12.50	--
XSB0-03464-00XX		15.0	19.0	21.95	15.00	--
XSB0-03474-00XX		17.5	21.5	24.45	17.50	20.0
XSB0-03484-00XX		20.0	24.0	26.95	20.00	--
XSB0-03494-00XX		22.5	26.5	29.45	22.50	--
XSB0-034A4-00XX		25.0	29.0	31.95	25.00	--

DIMENSION IN mm [inch]		Allconnectors		Title 2.5mm Pitch Battery Conn. Female Type	
Tolerance unless otherwise specified		<small>www.allconnectors.de Tel: 0049 721 908200 70372-Milchb. Markt Germany</small>		<small>info@allconnectors.de Fax: 0049 721 908204 info@enconnectors.com</small>	
X.	± 0.38	X.'	± 10'	CUSTOMER DRAWING	Dwg No. OSB0-03404-0000
X.X	± 0.20	X.X'	± 5'		File No. P03029
X.XX	± 0.13	X.XX'	± 2'		Scale: 4 : 1
X.XXX	±				Size: A4
					Rev : C
Approve:			Check:		Draw: Tom
					04/22/2005
					Sheet: 1 / 1