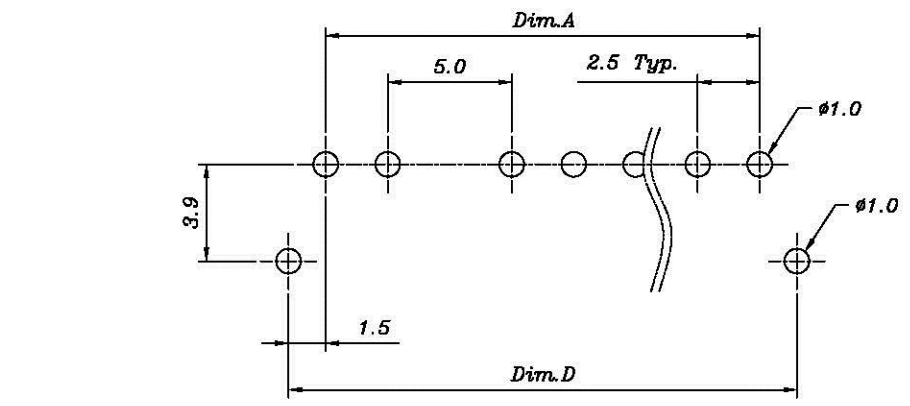
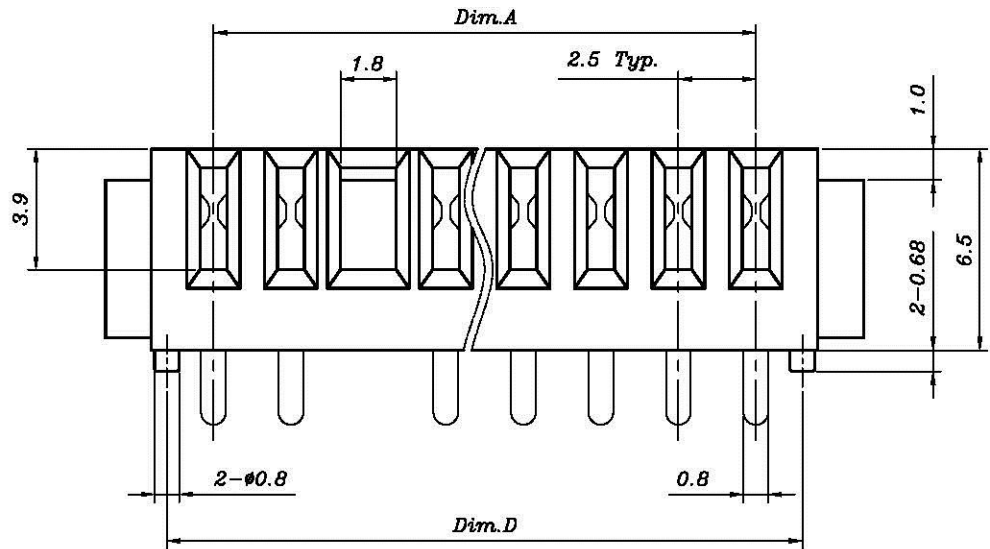
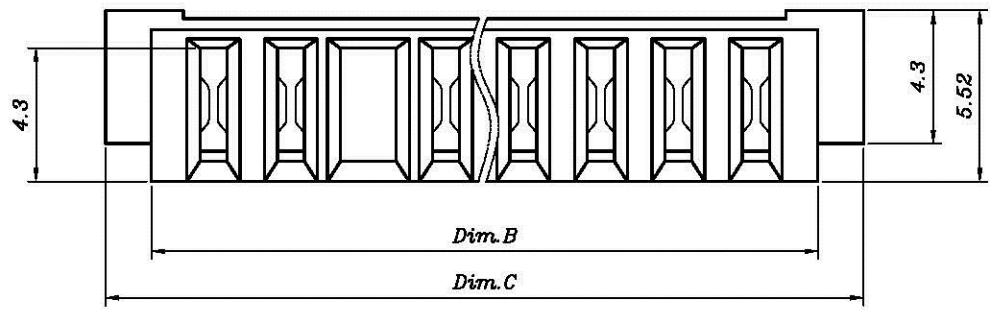


REV	MODIFICATION	DATE	DRAW	APPROVE
A	New Release	03/24/2003	David	Ivan
B	EC0604030	04/22/2005	Tom	Giordano



**Recommended P.C.B. Layout**  
Layout Tolerance = ± 0.05 mm

**Notes :**

- Material :**  
Housing : Thermoplastic , UL 94V-0  
Terminal : Copper Alloy
- Finish :**  
Terminal : Selected Gold on Contact Area, Cold Flash on Solder Tails, Both Over 50u" Min. Ni Under-plated Overall
- Order Information :**

X SBO-032 X 1-00T X

**T :** Lead Free  
**N/A :** Normal

**Amount of Pins**  
4 : 4 Pins  
2 : 2  
A : 10 Pins

**Plating**  
2 : 2u" Min. Gold on Contact Area  
3 : 5u" Min. Gold on Contact Area  
5 : 15u" Min. Gold on Contact Area  
8 : 30u" Min. Gold on Contact Area

Part No.	Dim.	Dim.A	Dim.B	Dim.C	Dim.D
XSB0-03241-00TX		10.0	14.0	16.95	13.0
XSB0-03251-00TX		12.5	16.5	19.45	15.5
XSB0-03261-00TX		15.0	19.0	21.95	18.0
XSB0-03271-00TX		17.5	21.5	24.45	20.5
XSB0-03281-00TX		20.0	24.0	26.95	23.0
XSB0-03291-00TX		22.5	26.5	29.45	25.5
XSB0-032A1-00TX		25.0	29.0	31.95	28.0

DIMENSION IN mm [inch]		<b>Allconnectors</b>		Title <b>2.5mm Pitch Battery Conn. Female Type</b>	
Tolerance unless otherwise specified		www.allconnectors.de Tel: +49 69 211 730500 70764 Hohenlock, Germany		info@allconnectors.de Fax: +49 69 211 730509 Kulmbacher Str. 22	
X.	± 0.38	X'	± 10'	Dwg No. <b>OSB0-03201-00T0</b>	
X.X	± 0.20	X.X'	± 5'	File No. <b>P03010</b>	
X.XX	± 0.13	X.XX'	± 2'	Draw: <b>Tom</b>	
X.XXX	±			04/22/2005	
Approve:			Check:		Rev : <b>B</b>
					Sheet: <b>1/1</b>