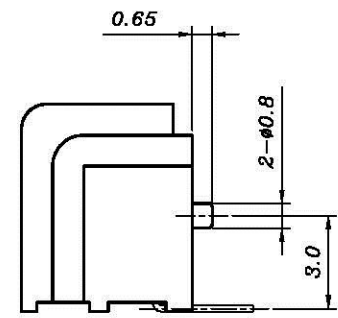
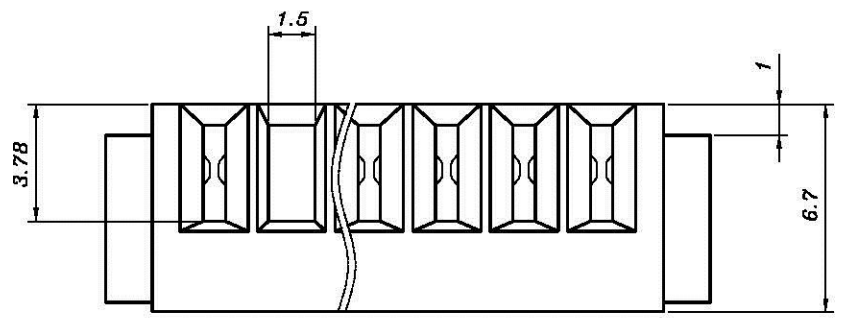
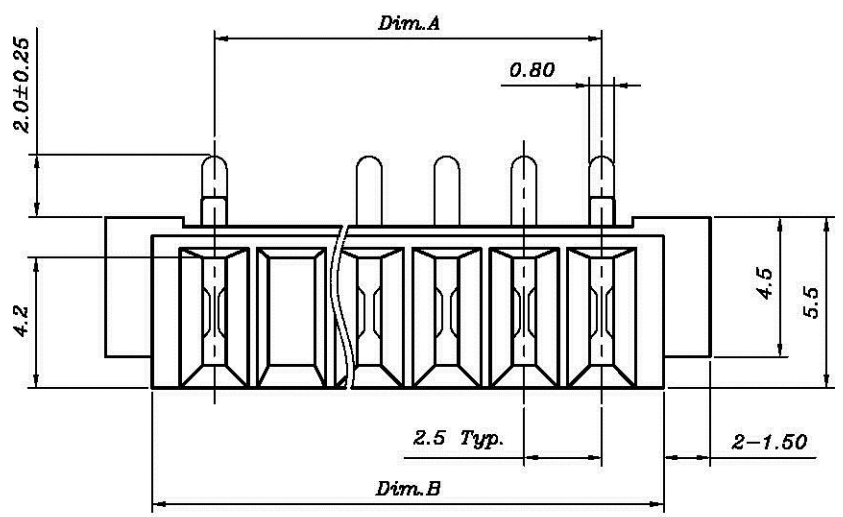


REV	MODIFICATION	DATE	DRAW	APPROVE
A	New Release	12/31/2003	David	Ivan
B	EC0606062	05/29/2005	Tom	Giordano



Notes :

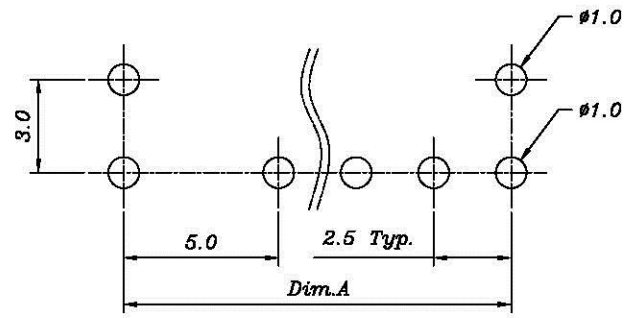
- Material :**
Housing : Thermoplastic , UL 94V-0
Terminal : Copper Alloy
- Finish :**
Terminal : Selected Gold on Contact Area, Gold Flash on Solder Tails, Both Over 50u" Min. Ni Under-plated Overall
- Order Information :**

X SBO-022 X 2-00T X

T : Lead Free
N/A : Normal
Amount of Pins
3 : 3 Pins
2 : 2
A : 10 Pins

2 : 2u" Min. Gold on Contact Area
3 : 5u" Min. Gold on Contact Area
5 : 15u" Min. Gold on Contact Area
8 : 30u" Min. Gold on Contact Area

Part No.	Dim.	Dim.A	Dim.B
XSBO-02232-00TX		7.5	11.5
XSBO-02242-00TX		10.0	14.0
XSBO-02252-00TX		12.5	16.5
XSBO-02262-00TX		15.0	19.0
XSBO-02272-00TX		17.5	21.5
XSBO-02282-00TX		20.0	24.0
XSBO-02292-00TX		22.5	26.5
XSBO-022A2-00TX		25.0	29.0



Recommended P.C.B. Layout
Layout Tolerance = ± 0.05 mm

DIMENSION IN mm [inch]		All connectors		Title	
Tolerance unless otherwise specified		<small>www.allconnectors.com 1-800-999-7777 info@allconnectors.com</small>		2.5mm Pitch Battery Conn. Female Type	
X. ± 0.38	X' ± 10'			Dwg No. OSBO-02202-00T0	Scale: 4 : 1
X.X ± 0.20	X.X' ± 5'			File No. N/A	Size: A4
X.XX ± 0.13	X.XX' ± 2'			Approve:	Check:
X.XXX ±				Draw: Tom	Rev : B
				05/29/2005	Sheet: 1 / 1