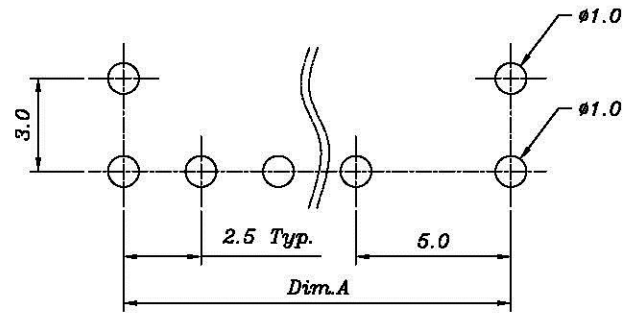
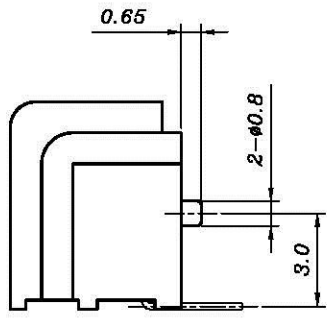
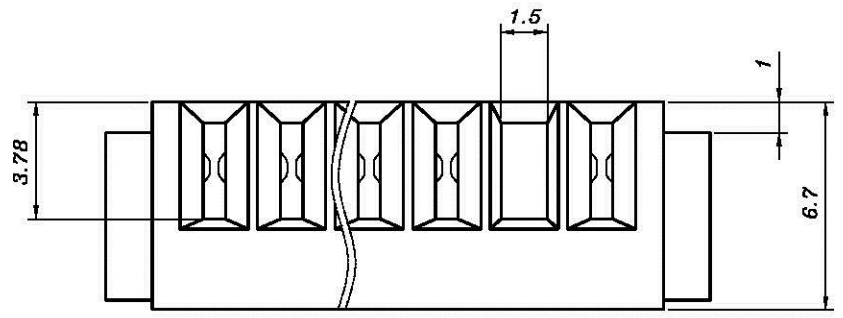
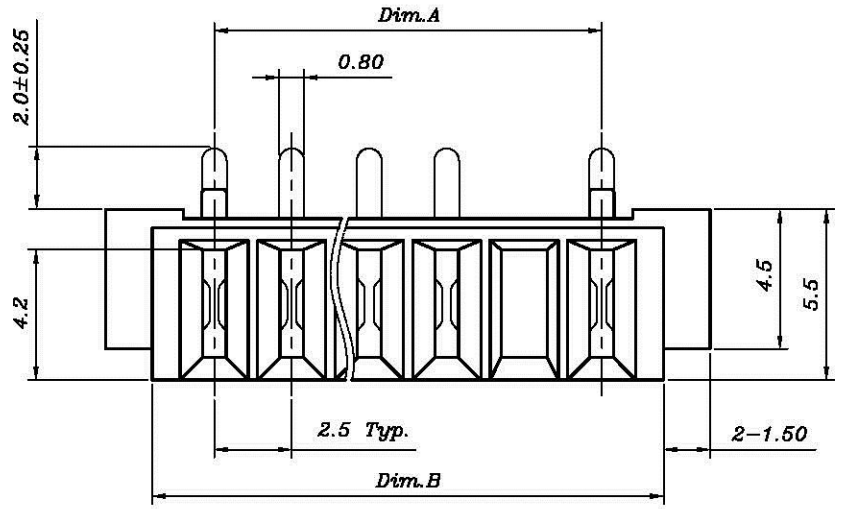


1 2 3 4 5 6 7

REV	MODIFICATION	DATE	DRAW	APPROVE
A	New Release	12/31/2003	David	Ivan
B	EC0606062	05/29/2005	Tom	Giordano

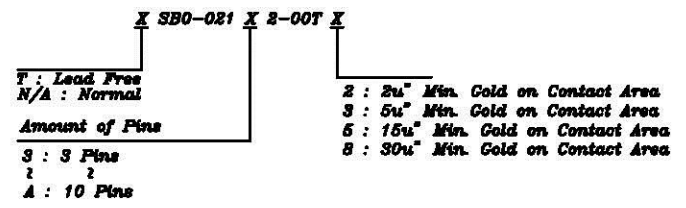
E
D
C
B
A



Recommended P.C.B. Layout
Layout Tolerance = ± 0.05 mm

Notes :

- Material :**
Housing : Thermoplastic , UL 94V-0
Terminal : Copper Alloy
- Finish :**
Terminal : Selected Gold on Contact Area, Gold Flash on Solder Tails, Both Over 50u" Min. Ni Under-plated Overall
- Order Information :**



Part No.	Dim.	Dim.A	Dim.B
XSBO-02132-00TX		7.5	11.5
XSBO-02142-00TX		10.0	14.0
XSBO-02152-00TX		12.5	16.5
XSBO-02162-00TX		15.0	19.0
XSBO-02172-00TX		17.5	21.5
XSBO-02182-00TX		20.0	24.0
XSBO-02192-00TX		22.5	26.5
XSBO-021A2-00TX		25.0	29.0

DIMENSION IN mm [inch]		All connectors		Title 2.5mm Pitch Battery Conn. Female Type		
Tolerance unless otherwise specified		www.allconnectors.de Tel: 0049 711 7009533 Zürcherstr. 44 80489 Frankfurt, Germany		Dwg No. OSBO-02102-00T0		
X.	± 0.38	X.'	± 10'	CUSTOMER DRAWING		Scale: 4 : 1
X.X	± 0.20	X.X'	± 5'	Approve: _____		Size: A4
X.XX	± 0.13	X.XX'	± 2'	Check: _____		Rev : B
X.XXX	±			Draw: Tom		Sheet: 1 / 1
				Date: 05/29/2005		

1 2 3 4 5 6 7 WC00-4A