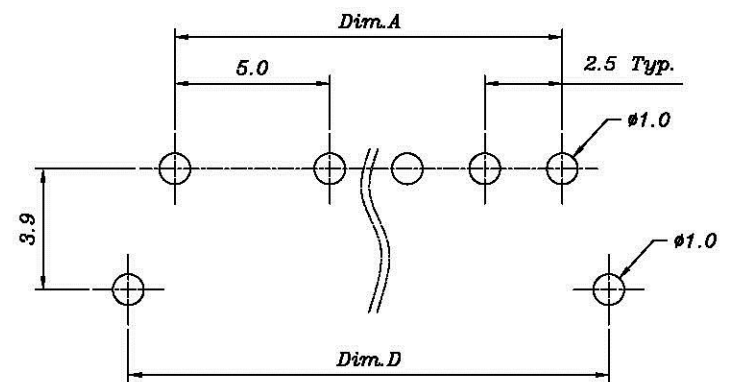
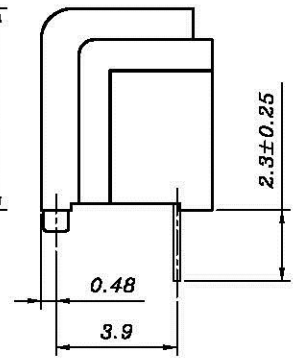
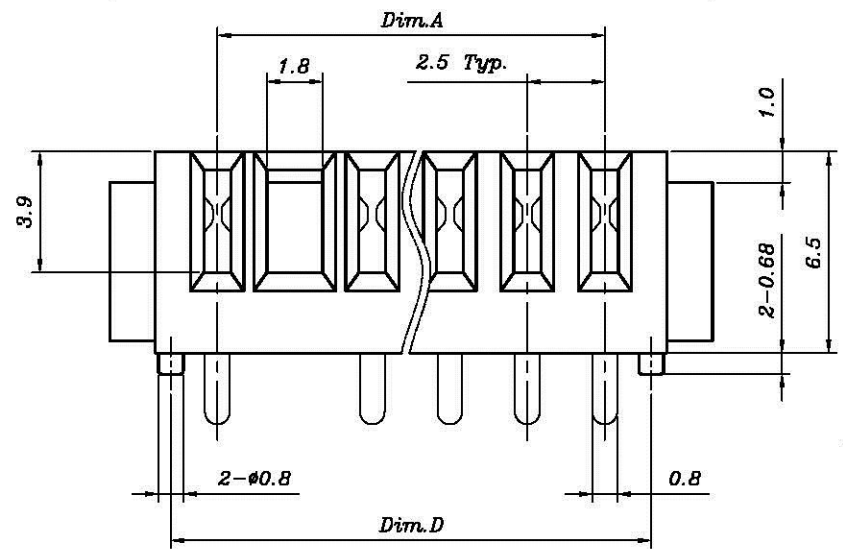
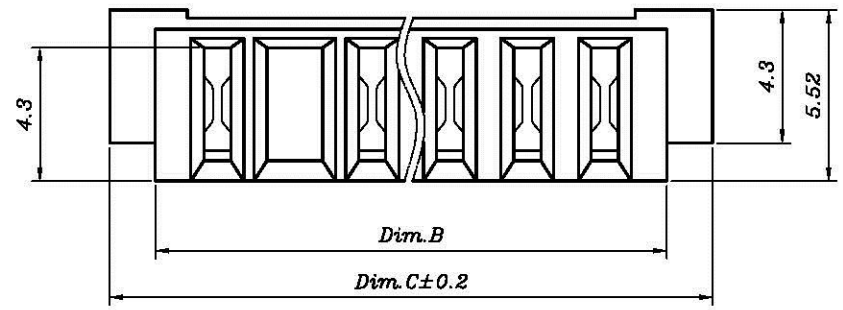


REV	MODIFICATION	DATE	DRAW	APPROVE
A	New Release	11/28/2002	Ben	Ivan
B	EC0603004	03/09/2005	Tom	Giordano
C	EC0504030	04/22/2005	Tom	Giordano

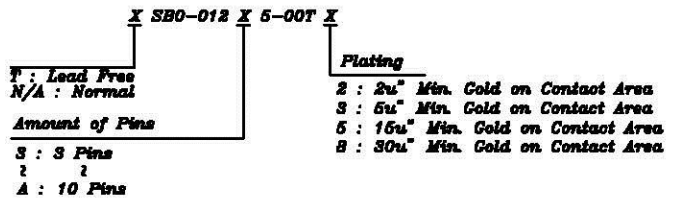


Recommended P.C.B. Layout
Layout Tolerance = ± 0.05 mm

Notes :

- Material :**
Housing : Thermoplastic , UL 94V-0
Terminal : Copper Alloy
- Finish :**
Terminal : Selected Gold on Contact Area, Gold Flash on Solder Tails, Both Over 50u" Min. Ni Under-plated Overall

3. Order Information :



Part No.	Dim.	Dim.A	Dim.B	Dim.C	Dim.D
XSB0-01235-00TX		7.5	11.5	14.45	10.5
XSB0-01245-00TX		10.0	14.0	16.95	13.0
XSB0-01255-00TX		12.5	16.5	19.45	15.5
XSB0-01265-00TX		15.0	19.0	21.95	18.0
XSB0-01275-00TX		17.5	21.5	24.45	20.5
XSB0-01285-00TX		20.0	24.0	26.95	23.0
XSB0-01295-00TX		22.5	26.5	29.45	25.5
XSB0-012A5-00TX		25.0	29.0	31.95	28.0

DIMENSION IN mm [inch]		All connectors		Title	
Tolerance unless otherwise specified		<small>www.allconnectors.de 1818 5070 712 880200 70724 Füllingstraße - Germany</small>		2.5mm Pitch Battery Conn. Female Type	
X.	± 0.38	X'	± 10'	Dwg No.	OSBO-01205-00T0
X.X	± 0.20	X.X'	± 5'	File No.	N/A
X.XX	± 0.13	X.XX'	± 2'	Approve:	Check:
X.XXX	±			Draw:	Tom
					04/22/2005
				Scale:	4 : 1
				Size:	A4
				Rev :	C
				Sheet:	1 / 1