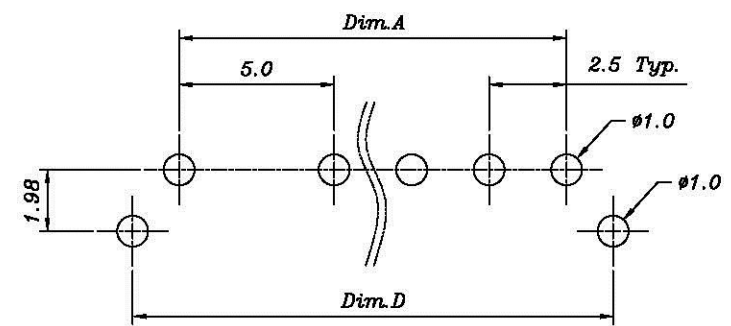
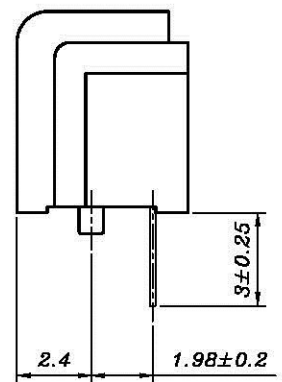
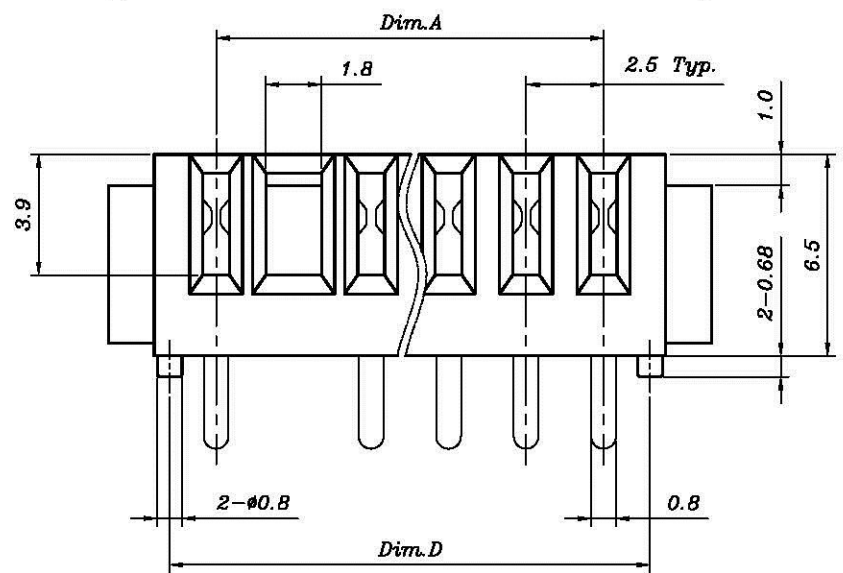
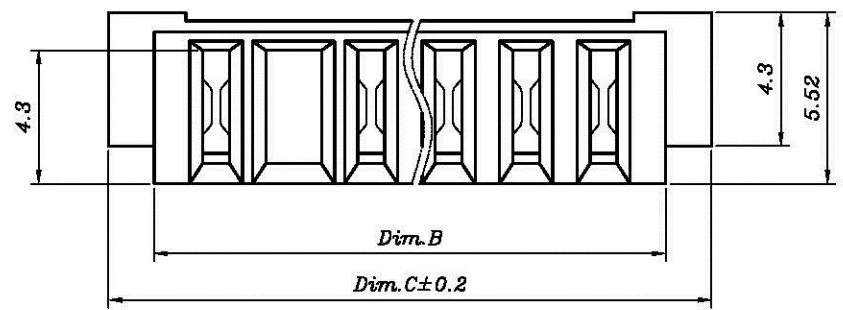


REV	MODIFICATION	DATE	DRAW	APPROVE
A	New Release	11/07/2002	Ben	Ivan
B	EC0503004	03/09/2005	Tom	Giordano
C	EC0504030	04/22/2005	Tom	Giordano



**Recommended P.C.B. Layout**  
Layout Tolerance = ± 0.05 mm

**Notes :**

- Material :**  
Housing : Thermoplastic , UL 94V-0  
Terminal : Copper Alloy
- Finish :**  
Terminal : Selected Gold on Contact Area, Gold Flash on Solder Tails, Both Over 50u" Min. Ni Under-plated Overall
- Order Information :**

X SB0-012 X 3-00T X

F : Lead Free  
N/A : Normal

**Amount of Pins**

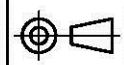
- S : 3 Pins
- T : 2
- A : 10 Pins

**Plating**

- 2 : 2u" Min. Gold on Contact Area
- 3 : 5u" Min. Gold on Contact Area
- 5 : 15u" Min. Gold on Contact Area
- 8 : 30u" Min. Gold on Contact Area

Part No.	Dim.	Dim.A	Dim.B	Dim.C	Dim.D
XSBO-01233-00TX		7.5	11.5	14.45	10.5
XSBO-01243-00TX		10.0	14.0	16.95	13.0
XSBO-01253-00TX		12.5	16.5	19.45	15.5
XSBO-01263-00TX		15.0	19.0	21.95	18.0
XSBO-01273-00TX		17.5	21.5	24.45	20.5
XSBO-01283-00TX		20.0	24.0	26.95	23.0
XSBO-01293-00TX		22.5	26.5	29.45	25.5
XSBO-012A3-00TX		25.0	29.0	31.95	28.0

DIMENSION IN mm [inch]		All Connectors		Title	
Tolerance unless otherwise specified		www.allconnectors.com info@allconnectors.com Tel: 0044 (0)1203 711 200 Fax: 0044 (0)1203 711 200 20034 Hildesheim, Germany		2.5mm Pitch Battery Conn. Female Type	
X.	± 0.38	X'	± 10'	Dwg No.	OSBO-01203-00T0
XX	± 0.20	XX'	± 5'	File No.	N/A
XXX	± 0.13	XXX'	± 2'	Approve:	Check:
XXXX	±			Draw:	Tom
					04/22/2005



Scale: 4 : 1  
Size: A4  
Rev : C  
Sheet: 1 / 1