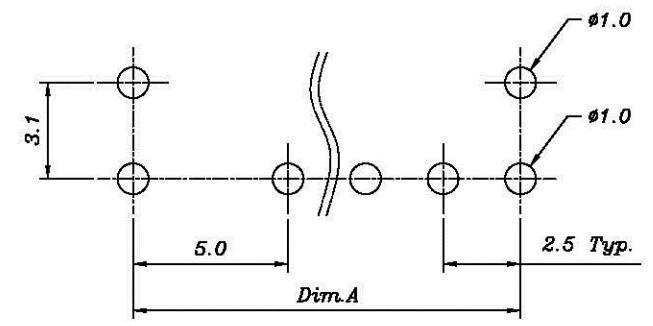
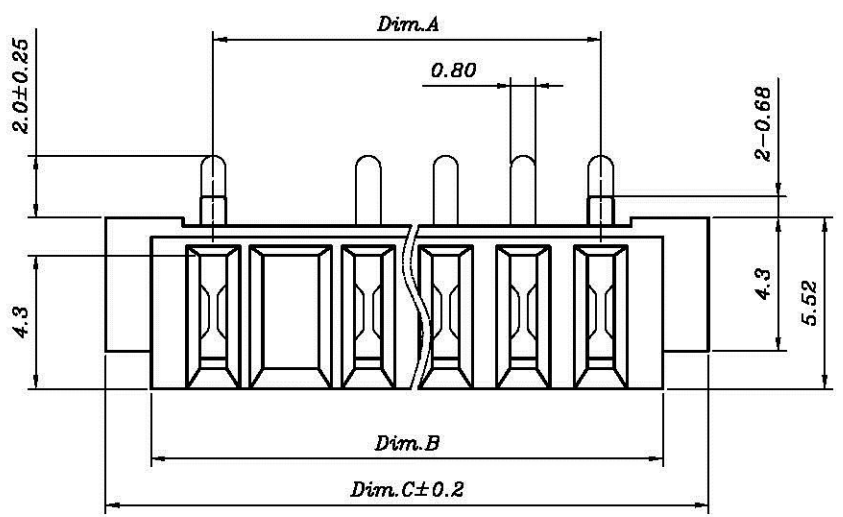


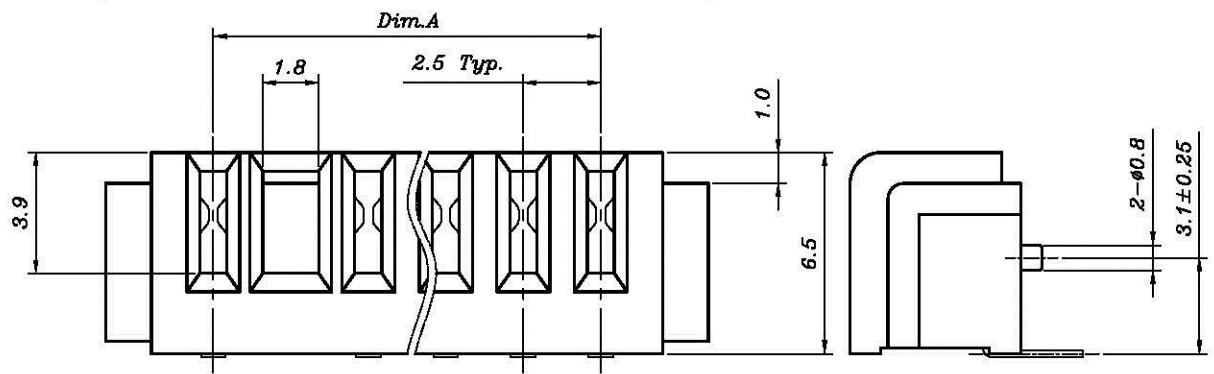
1 2 3 4 5 6 7

REV	MODIFICATION	DATE	DRAW	APPROVE
A	New Release	11/07/2002	Ben	Ivan
B	EC0603004	03/09/2005	Tom	Giordano
C	EC0504030	04/22/2005	Tom	Giordano

E
D
C
B
A

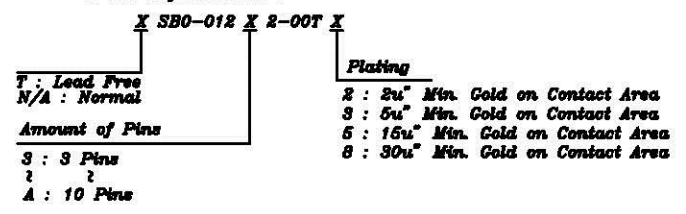


Recommended P.C.B. Layout
Layout Tolerance = ± 0.05 mm



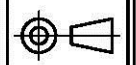
- Notes :**
- Material :**
Housing : Thermoplastic , UL 94V-0
Terminal : Copper Alloy
 - Finish :**
Terminal : Selected Gold on Contact Area, Gold Flash on Solder Tails, Both Over 50u" Min. Ni Under-plated Overall

3. Order Information :



Part No.	Dim.	Dim.A	Dim.B	Dim.C
XSB0-01232-00TX	7.5	11.5	14.45	
XSB0-01242-00TX	10.0	14.0	16.95	
XSB0-01252-00TX	12.5	16.5	19.45	
XSB0-01262-00TX	15.0	19.0	21.95	
XSB0-01272-00TX	17.5	21.5	24.45	
XSB0-01282-00TX	20.0	24.0	26.95	
XSB0-01292-00TX	22.5	26.5	29.45	
XSB0-012A2-00TX	25.0	29.0	31.95	

DIMENSION IN mm [inch]		All Connectors		Title	
Tolerance unless otherwise specified		www.allconnectors.de Tel: +49 44 211 79400 42764 Hildesheim, Germany		2.5mm Pitch Battery Conn. Female Type	
X.	± 0.38	X'	± 10'	Dwg No.	OSB0-01202-00T0
X.X	± 0.20	X.X'	± 5'	File No.	N/A
X.XX	± 0.13	X.XX'	± 2'	Approve:	Check:
X.XXX	±			Draw:	Tom 04/22/2005



Scale: 4 : 1
Size: A4
Rev : C
Sheet: 1 / 1

1 2 3 4 5 6 7 WC00-4A