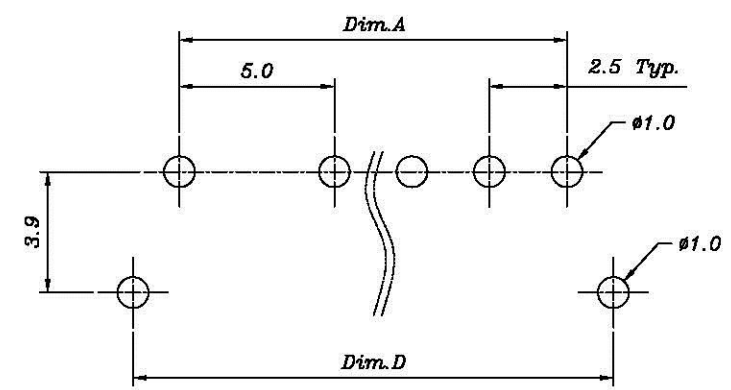
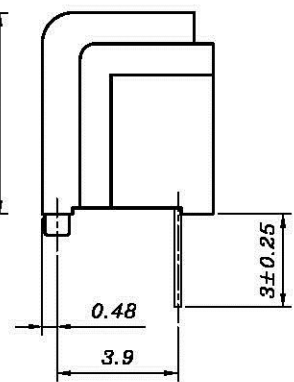
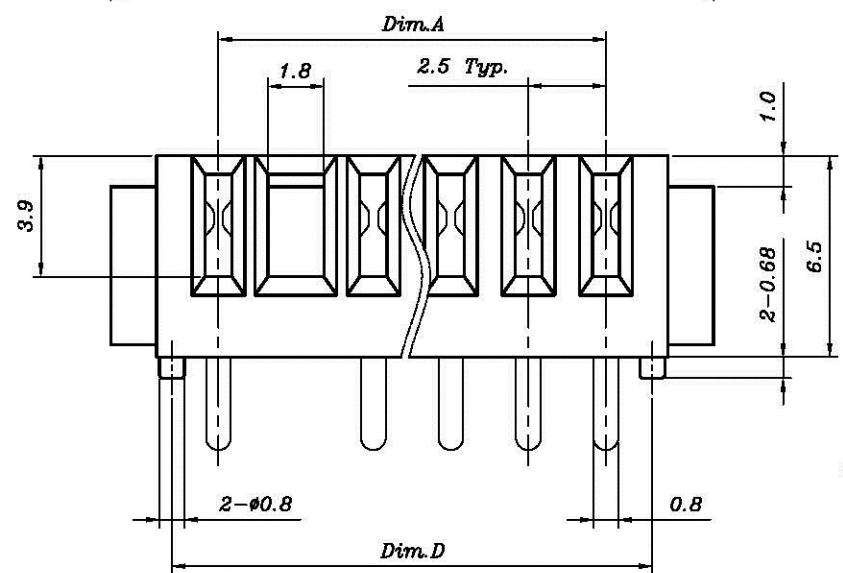
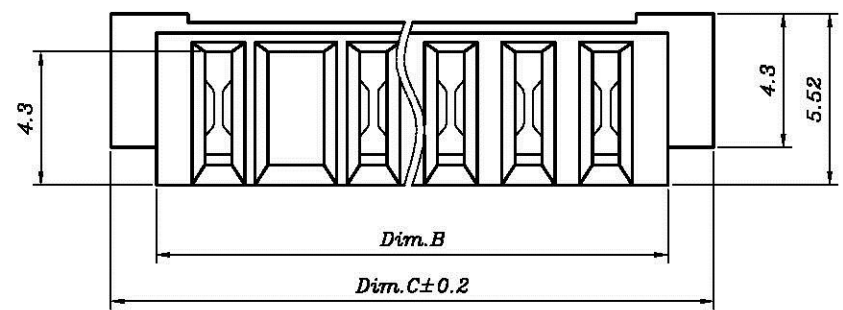


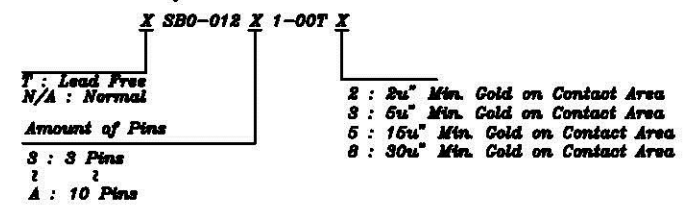
REV	MODIFICATION	DATE	DRAW	APPROVE
A	New Release	11/07/2002	Ben	Ivan
B	EC0503004	03/09/2005	Tom	Giordano
C	EC0504030	04/22/2005	Tom	Giordano



**Recommended P.C.B. Layout**  
Layout Tolerance = ± 0.05 mm

**Notes :**

- Material :**  
Housing : Thermoplastic , UL 94V-0  
Terminal : Copper Alloy
- Finish :**  
Terminal : Selected Gold on Contact Area, Gold Flash on Solder Tails, Both Over 50u" Min. Ni Under-plated Overall
- Order Information :**



Part No.	Dim.	Dim.A	Dim.B	Dim.C	Dim.D
XSB0-01231-00TX		7.5	11.5	14.45	10.5
XSB0-01241-00TX		10.0	14.0	16.95	13.0
XSB0-01251-00TX		12.5	16.5	19.45	15.5
XSB0-01261-00TX		15.0	19.0	21.95	18.0
XSB0-01271-00TX		17.5	21.5	24.45	20.5
XSB0-01281-00TX		20.0	24.0	26.95	23.0
XSB0-01291-00TX		22.5	26.5	29.45	25.5
XSB0-012A1-00TX		25.0	29.0	31.95	28.0

DIMENSION IN mm [inch]		All connectors		Title			
Tolerance unless otherwise specified		<small>           01000, 01100, 01200, 01300, 01400, 01500, 01600, 01700, 01800, 01900, 02000, 02100, 02200, 02300, 02400, 02500, 02600, 02700, 02800, 02900, 03000, 03100, 03200, 03300, 03400, 03500, 03600, 03700, 03800, 03900, 04000, 04100, 04200, 04300, 04400, 04500, 04600, 04700, 04800, 04900, 05000, 05100, 05200, 05300, 05400, 05500, 05600, 05700, 05800, 05900, 06000, 06100, 06200, 06300, 06400, 06500, 06600, 06700, 06800, 06900, 07000, 07100, 07200, 07300, 07400, 07500, 07600, 07700, 07800, 07900, 08000, 08100, 08200, 08300, 08400, 08500, 08600, 08700, 08800, 08900, 09000, 09100, 09200, 09300, 09400, 09500, 09600, 09700, 09800, 09900, 10000, 10100, 10200, 10300, 10400, 10500, 10600, 10700, 10800, 10900, 11000, 11100, 11200, 11300, 11400, 11500, 11600, 11700, 11800, 11900, 12000, 12100, 12200, 12300, 12400, 12500, 12600, 12700, 12800, 12900, 13000, 13100, 13200, 13300, 13400, 13500, 13600, 13700, 13800, 13900, 14000, 14100, 14200, 14300, 14400, 14500, 14600, 14700, 14800, 14900, 15000, 15100, 15200, 15300, 15400, 15500, 15600, 15700, 15800, 15900, 16000, 16100, 16200, 16300, 16400, 16500, 16600, 16700, 16800, 16900, 17000, 17100, 17200, 17300, 17400, 17500, 17600, 17700, 17800, 17900, 18000, 18100, 18200, 18300, 18400, 18500, 18600, 18700, 18800, 18900, 19000, 19100, 19200, 19300, 19400, 19500, 19600, 19700, 19800, 19900, 20000, 20100, 20200, 20300, 20400, 20500, 20600, 20700, 20800, 20900, 21000, 21100, 21200, 21300, 21400, 21500, 21600, 21700, 21800, 21900, 22000, 22100, 22200, 22300, 22400, 22500, 22600, 22700, 22800, 22900, 23000, 23100, 23200, 23300, 23400, 23500, 23600, 23700, 23800, 23900, 24000, 24100, 24200, 24300, 24400, 24500, 24600, 24700, 24800, 24900, 25000, 25100, 25200, 25300, 25400, 25500, 25600, 25700, 25800, 25900, 26000, 26100, 26200, 26300, 26400, 26500, 26600, 26700, 26800, 26900, 27000, 27100, 27200, 27300, 27400, 27500, 27600, 27700, 27800, 27900, 28000, 28100, 28200, 28300, 28400, 28500, 28600, 28700, 28800, 28900, 29000, 29100, 29200, 29300, 29400, 29500, 29600, 29700, 29800, 29900, 30000, 30100, 30200, 30300, 30400, 30500, 30600, 30700, 30800, 30900, 31000, 31100, 31200, 31300, 31400, 31500, 31600, 31700, 31800, 31900, 32000, 32100, 32200, 32300, 32400, 32500, 32600, 32700, 32800, 32900, 33000, 33100, 33200, 33300, 33400, 33500, 33600, 33700, 33800, 33900, 34000, 34100, 34200, 34300, 34400, 34500, 34600, 34700, 34800, 34900, 35000, 35100, 35200, 35300, 35400, 35500, 35600, 35700, 35800, 35900, 36000, 36100, 36200, 36300, 36400, 36500, 36600, 36700, 36800, 36900, 37000, 37100, 37200, 37300, 37400, 37500, 37600, 37700, 37800, 37900, 38000, 38100, 38200, 38300, 38400, 38500, 38600, 38700, 38800, 38900, 39000, 39100, 39200, 39300, 39400, 39500, 39600, 39700, 39800, 39900, 40000, 40100, 40200, 40300, 40400, 40500, 40600, 40700, 40800, 40900, 41000, 41100, 41200, 41300, 41400, 41500, 41600, 41700, 41800, 41900, 42000, 42100, 42200, 42300, 42400, 42500, 42600, 42700, 42800, 42900, 43000, 43100, 43200, 43300, 43400, 43500, 43600, 43700, 43800, 43900, 44000, 44100, 44200, 44300, 44400, 44500, 44600, 44700, 44800, 44900, 45000, 45100, 45200, 45300, 45400, 45500, 45600, 45700, 45800, 45900, 46000, 46100, 46200, 46300, 46400, 46500, 46600, 46700, 46800, 46900, 47000, 47100, 47200, 47300, 47400, 47500, 47600, 47700, 47800, 47900, 48000, 48100, 48200, 48300, 48400, 48500, 48600, 48700, 48800, 48900, 49000, 49100, 49200, 49300, 49400, 49500, 49600, 49700, 49800, 49900, 50000, 50100, 50200, 50300, 50400, 50500, 50600, 50700, 50800, 50900, 51000, 51100, 51200, 51300, 51400, 51500, 51600, 51700, 51800, 51900, 52000, 52100, 52200, 52300, 52400, 52500, 52600, 52700, 52800, 52900, 53000, 53100, 53200, 53300, 53400, 53500, 53600, 53700, 53800, 53900, 54000, 54100, 54200, 54300, 54400, 54500, 54600, 54700, 54800, 54900, 55000, 55100, 55200, 55300, 55400, 55500, 55600, 55700, 55800, 55900, 56000, 56100, 56200, 56300, 56400, 56500, 56600, 56700, 56800, 56900, 57000, 57100, 57200, 57300, 57400, 57500, 57600, 57700, 57800, 57900, 58000, 58100, 58200, 58300, 58400, 58500, 58600, 58700, 58800, 58900, 59000, 59100, 59200, 59300, 59400, 59500, 59600, 59700, 59800, 59900, 60000, 60100, 60200, 60300, 60400, 60500, 60600, 60700, 60800, 60900, 61000, 61100, 61200, 61300, 61400, 61500, 61600, 61700, 61800, 61900, 62000, 62100, 62200, 62300, 62400, 62500, 62600, 62700, 62800, 62900, 63000, 63100, 63200, 63300, 63400, 63500, 63600, 63700, 63800, 63900, 64000, 64100, 64200, 64300, 64400, 64500, 64600, 64700, 64800, 64900, 65000, 65100, 65200, 65300, 65400, 65500, 65600, 65700, 65800, 65900, 66000, 66100, 66200, 66300, 66400, 66500, 66600, 66700, 66800, 66900, 67000, 67100, 67200, 67300, 67400, 67500, 67600, 67700, 67800, 67900, 68000, 68100, 68200, 68300, 68400, 68500, 68600, 68700, 68800, 68900, 69000, 69100, 69200, 69300, 69400, 69500, 69600, 69700, 69800, 69900, 70000, 70100, 70200, 70300, 70400, 70500, 70600, 70700, 70800, 70900, 71000, 71100, 71200, 71300, 71400, 71500, 71600, 71700, 71800, 71900, 72000, 72100, 72200, 72300, 72400, 72500, 72600, 72700, 72800, 72900, 73000, 73100, 73200, 73300, 73400, 73500, 73600, 73700, 73800, 73900, 74000, 74100, 74200, 74300, 74400, 74500, 74600, 74700, 74800, 74900, 75000, 75100, 75200, 75300, 75400, 75500, 75600, 75700, 75800, 75900, 76000, 76100, 76200, 76300, 76400, 76500, 76600, 76700, 76800, 76900, 77000, 77100, 77200, 77300, 77400, 77500, 77600, 77700, 77800, 77900, 78000, 78100, 78200, 78300, 78400, 78500, 78600, 78700, 78800, 78900, 79000, 79100, 79200, 79300, 79400, 79500, 79600, 79700, 79800, 79900, 80000, 80100, 80200, 80300, 80400, 80500, 80600, 80700, 80800, 80900, 81000, 81100, 81200, 81300, 81400, 81500, 81600, 81700, 81800, 81900, 82000, 82100, 82200, 82300, 82400, 82500, 82600, 82700, 82800, 82900, 83000, 83100, 83200, 83300, 83400, 83500, 83600, 83700, 83800, 83900, 84000, 84100, 84200, 84300, 84400, 84500, 84600, 84700, 84800, 84900, 85000, 85100, 85200, 85300, 85400, 85500, 85600, 85700, 85800, 85900, 86000, 86100, 86200, 86300, 86400, 86500, 86600, 86700, 86800, 86900, 87000, 87100, 87200, 87300, 87400, 87500, 87600, 87700, 87800, 87900, 88000, 88100, 88200, 88300, 88400, 88500, 88600, 88700, 88800, 88900, 89000, 89100, 89200, 89300, 89400, 89500, 89600, 89700, 89800, 89900, 90000, 90100, 90200, 90300, 90400, 90500, 90600, 90700, 90800, 90900, 91000, 91100, 91200, 91300, 91400, 91500, 91600, 91700, 91800, 91900, 92000, 92100, 92200, 92300, 92400, 92500, 92600, 92700, 92800, 92900, 93000, 93100, 93200, 93300, 93400, 93500, 93600, 93700, 93800, 93900, 94000, 94100, 94200, 94300, 94400, 94500, 94600, 94700, 94800, 94900, 95000, 95100, 95200, 95300, 95400, 95500, 95600, 95700, 95800, 95900, 96000, 96100, 96200, 96300, 96400, 96500, 96600, 96700, 96800, 96900, 97000, 97100, 97200, 97300, 97400, 97500, 97600, 97700, 97800, 97900, 98000, 98100, 98200, 98300, 98400, 98500, 98600, 98700, 98800, 98900, 99000, 99100, 99200, 99300, 99400, 99500, 99600, 99700, 99800, 99900, 100000         </small>		Title <b>2.5mm Pitch Battery Conn. Female Type</b>			
X.	± 0.38	X.'	± 10'	Dwg No. <b>OSB0-01201-00T0</b>			
X.X	± 0.20	X.X'	± 5'	File No. <b>N/A</b>			
X.XX	± 0.13	X.XX'	± 2'	Scale: <b>4 : 1</b>			
X.XXX	±			Size: <b>A4</b>			
Approve:			Check:		Rev : <b>C</b>		
			Draw: <b>Tom</b>		Sheet: <b>1 / 1</b>		
			Date: <b>04/22/2005</b>				