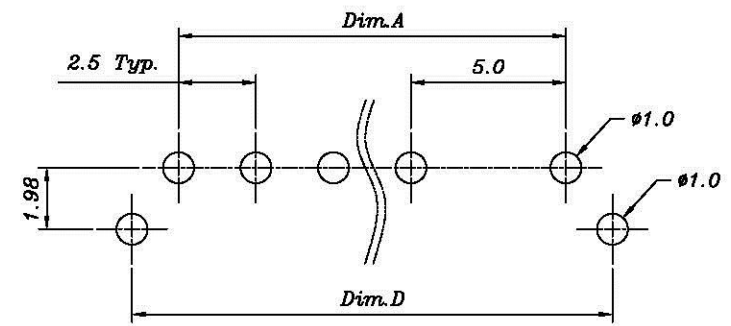
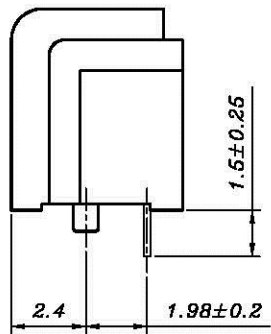
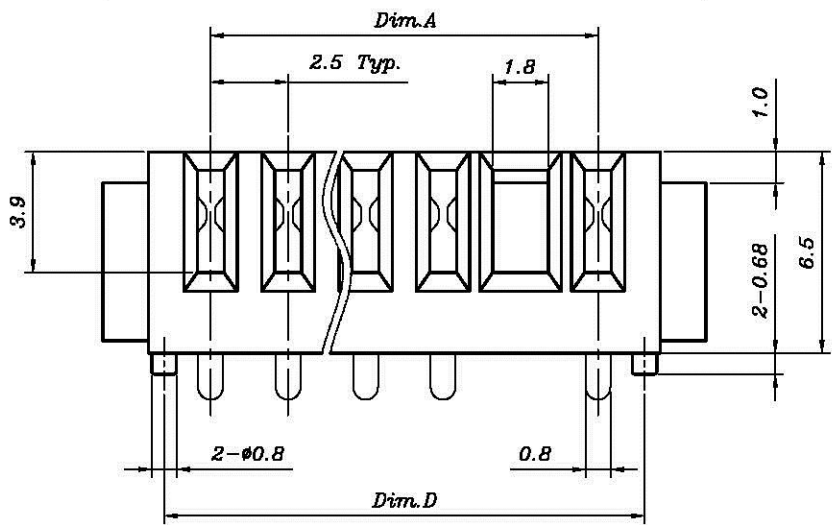
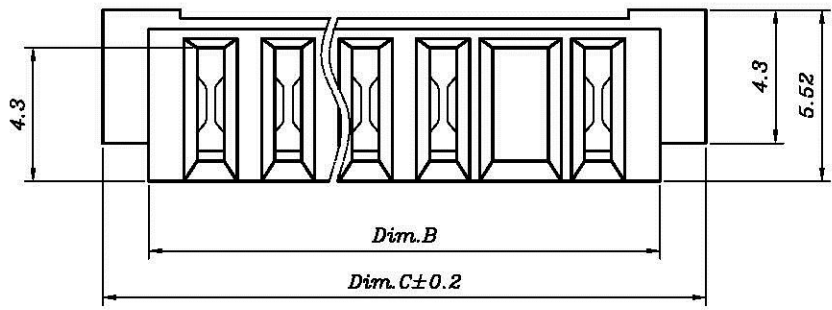


REV	MODIFICATION	DATE	DRAW	APPROVE
B	Add P/N	12/10/2003	David	Ivan
C	EC0603004	03/09/2005	Tom	Giordano
D	EC0504030	04/22/2005	Tom	Giordano



Recommended P.C.B. Layout
Layout Tolerance = ± 0.05 mm

- Notes :**
- Material :**
Housing : Thermoplastic , UL 94V-0
Terminal : Copper Alloy
 - Finish :**
Terminal : Selected Gold on Contact Area, Cold Flash on Solder Tails, Both Over 50u" Min. Ni Under-plated Overall
 - Order Information :**

X SBO-011 X 8-00T X

Plating

F : Lead Free
N/A : Normal

Amount of Pins

3 : 3 Pins
2 : 2
A : 10 Pins

2 : 2u" Min. Gold on Contact Area
3 : 5u" Min. Gold on Contact Area
5 : 15u" Min. Gold on Contact Area
8 : 30u" Min. Gold on Contact Area

Part No.	Dim.	Dim.A	Dim.B	Dim.C	Dim.D
XSB0-01138-00TX	7.5	11.5	14.45	10.5	
XSB0-01148-00TX	10.0	14.0	16.95	13.0	
XSB0-01158-00TX	12.5	16.5	19.45	15.5	
XSB0-01168-00TX	15.0	19.0	21.95	18.0	
XSB0-01178-00TX	17.5	21.5	24.45	20.5	
XSB0-01188-00TX	20.0	24.0	26.95	23.0	
XSB0-01198-00TX	22.5	26.5	29.45	25.5	
XSB0-011A8-00TX	25.0	29.0	31.95	28.0	

DIMENSION IN mm [inch]		All connectors		Title 2.5mm Pitch Battery Conn. Female Type			
Tolerance unless otherwise specified		<small>www.allconnectors.com Tel: +39 02 91 70 99 00 Via: 2/28 Hubschladt - Sesto San Giovanni Milano, Italia</small>		<small>info@allconnectors.com Fax: +39 02 91 70 99 01 Kallioströminkatu 22</small>		Dwg No. OSBO-01108-00T0 Scale: 4 : 1	
X.	± 0.38	X'	± 10'	CUSTOMER DRAWING		File No. N/A Size: A4	
X.X	± 0.20	X.X'	± 5'			Rev : D Sheet: 1 / 1	
X.XX	± 0.13	X.XX'	± 2'	Approve:	Check:	Draw: Tom 04/22/2005	
X.XXX	±						