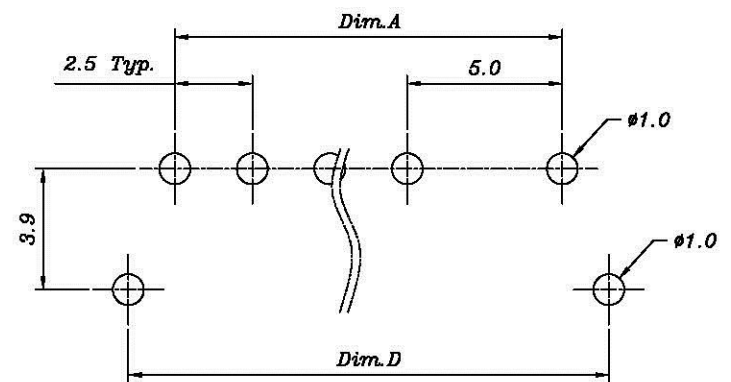
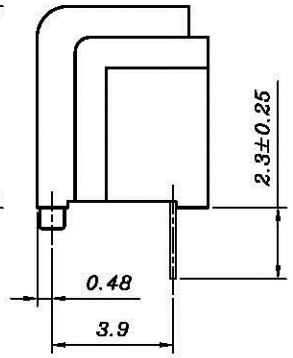
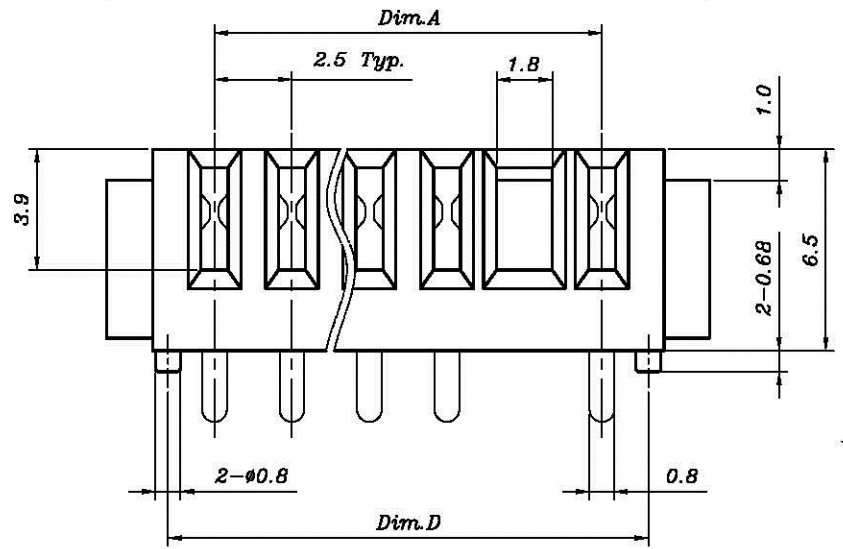
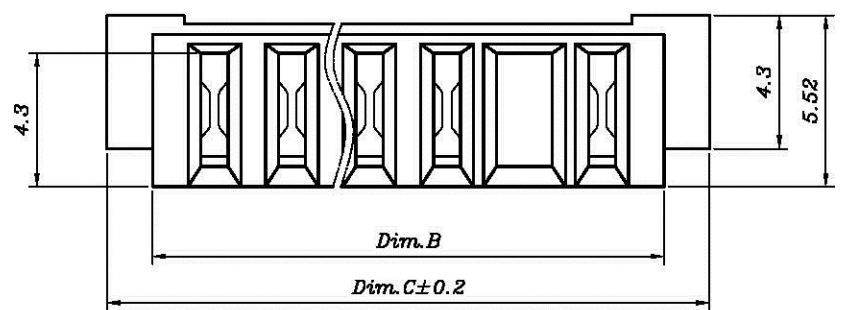


REV	MODIFICATION	DATE	DRAW	APPROVE
A	New Release	11/28/2002	Ben	Ivan
B	EC0503004	03/09/2005	Tom	Giordano
C	EC0504030	04/22/2005	Tom	Giordano

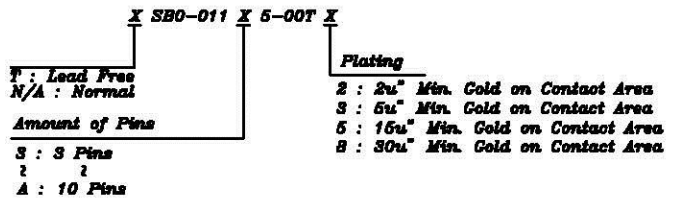


**Recommended P.C.B. Layout**  
Layout Tolerance =  $\pm 0.05$  mm

**Notes :**

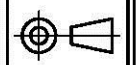
- Material :**  
Housing : Thermoplastic , UL 94V-0  
Terminal : Copper Alloy
- Finish :**  
Terminal : Selected Gold on Contact Area, Gold Flash on Solder Tails, Both Over 50u" Min. Ni Under-plated Overall

**3. Order Information :**



Part No.	Dim.	Dim.A	Dim.B	Dim.C	Dim.D
XSBO-01135-00TX	7.5	11.5	14.45	10.5	
XSBO-01145-00TX	10.0	14.0	18.95	13.0	
XSBO-01155-00TX	12.5	16.5	19.45	15.5	
XSBO-01165-00TX	15.0	19.0	21.95	18.0	
XSBO-01175-00TX	17.5	21.5	24.45	20.5	
XSBO-01185-00TX	20.0	24.0	26.95	23.0	
XSBO-01195-00TX	22.5	26.5	29.45	25.5	
XSBO-011A5-00TX	25.0	29.0	31.95	28.0	

DIMENSION IN mm [inch]		All connectors		Title	
Tolerance unless otherwise specified		www.allconnectors.de Tel: +49 711 700393 All-Connect GmbH Germany		2.5mm Pitch Battery Conn. Female Type	
X.	$\pm 0.38$	X'	$\pm 10'$	Dwg No.	OSBO-01105-00T0
X.X	$\pm 0.20$	X.X'	$\pm 5'$	File No.	N/A
X.XX	$\pm 0.13$	X.XX'	$\pm 2'$	Approve:	Check:
X.XXX	$\pm$			Draw:	Tom
					04/22/2005



Scale: 4 : 1  
Size: A4  
Rev : C  
Sheet: 1 / 1