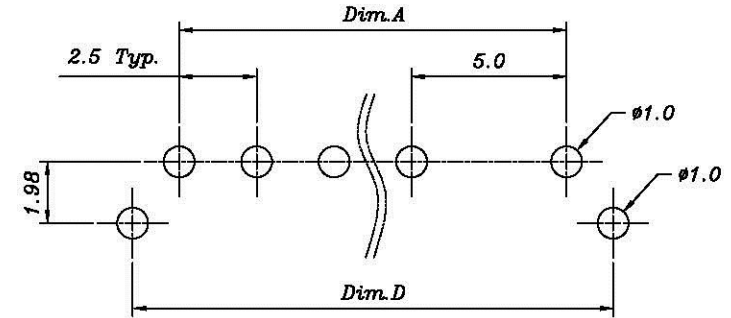
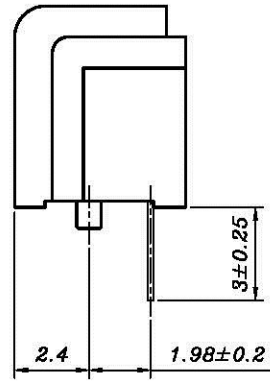
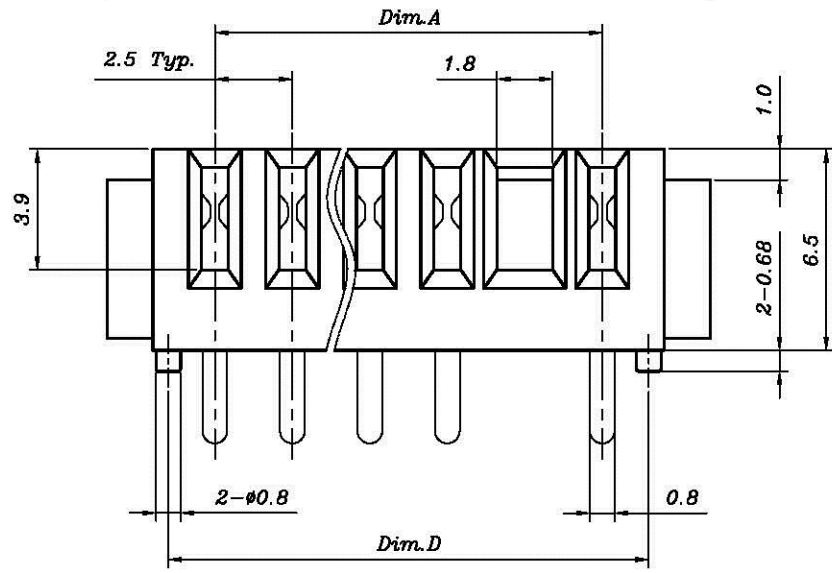
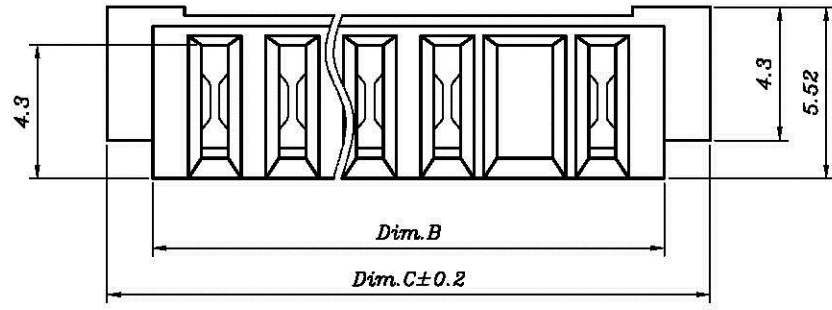


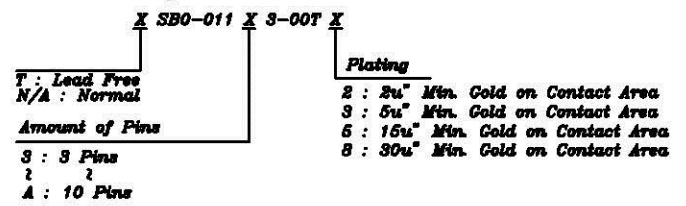
REV	MODIFICATION	DATE	DRAW	APPROVE
A	New Release	11/07/2002	Ben	Ivan
B	EC0503004	03/09/2005	Tom	Giordano
C	EC0504030	04/22/2005	Tom	Giordano



Recommended P.C.B. Layout
Layout Tolerance = ± 0.05 mm

Notes :

- Material :**
Housing : Thermoplastic , UL 94V-0
Terminal : Copper Alloy
- Finish :**
Terminal : Selected Gold on Contact Area, Gold Flash on Solder Tails, Both Over 50µ" Min. Ni Under-plated Overall
- Order Information :**

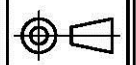


Part No.	Dim.	Dim.A	Dim.B	Dim.C	Dim.D
XSBO-01133-00TX	7.5	11.5	14.45	10.5	
XSBO-01143-00TX	10.0	14.0	16.95	13.0	
XSBO-01153-00TX	12.5	16.5	19.45	15.5	
XSBO-01163-00TX	15.0	19.0	21.95	18.0	
XSBO-01173-00TX	17.5	21.5	24.45	20.5	
XSBO-01183-00TX	20.0	24.0	26.95	23.0	
XSBO-01193-00TX	22.5	26.5	29.45	25.5	
XSBO-011A3-00TX	25.0	29.0	31.95	28.0	

DIMENSION IN mm [inch]		All connectors		Title	
Tolerance unless otherwise specified		www.allconnectors.de Tel: +49 69 211 7095 23 70751 Filderstadt - Germany Info@allconnectors.de Fax: +49 69 211 7095 01 kathemestr. 25		2.5mm Pitch Battery Conn. Female Type	
X.	± 0.38	X'	± 10'	Dwg No.	OSBO-01103-00T0
XX	± 0.20	XX'	± 5'	File No.	N/A
XXX	± 0.13	XXX'	± 2'	Draw:	Tom
XXXX	±			04/22/2005	Sheet: 1/1

CUSTOMER DRAWING

Approve: _____ Check: _____ Draw: Tom 04/22/2005



Scale: 4 : 1
Size: A4
Rev : C