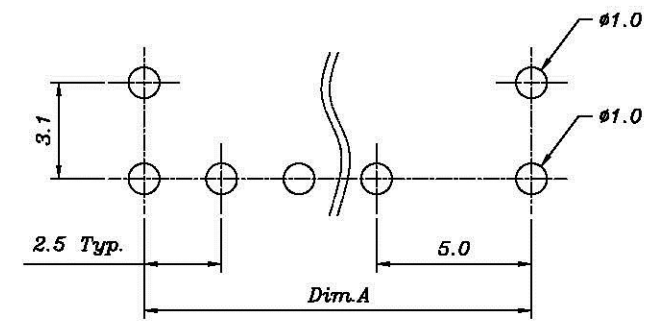
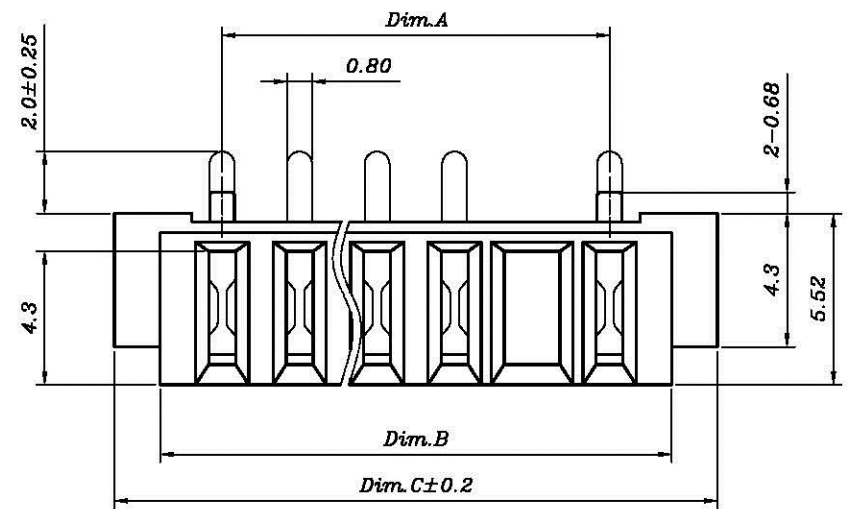
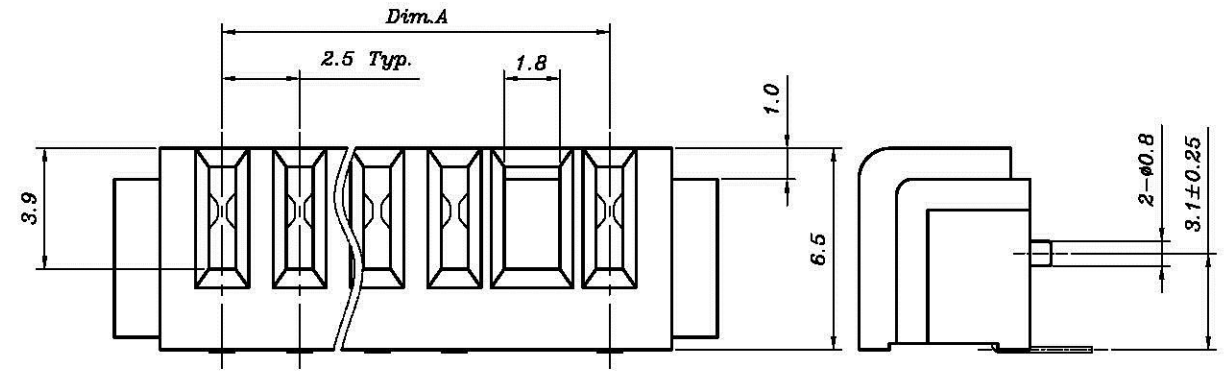


REV	MODIFICATION	DATE	DRAW	APPROVE
A	New Release	11/07/2002	Ben	Ivan
B	EC0603004	03/09/2005	Tom	Giordano
C	EC0504030	04/22/2005	Tom	Giordano

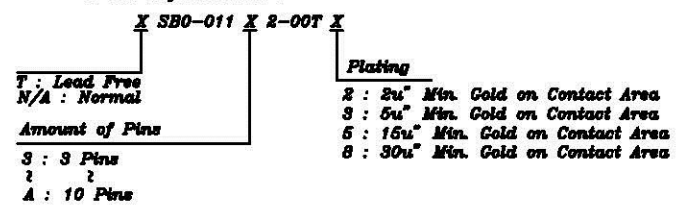


Recommended P.C.B. Layout
 Layout Tolerance = ± 0.05 mm



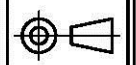
Notes :

- Material :**
 Housing : Thermoplastic , UL 94V-0
 Terminal : Copper Alloy
- Finish :**
 Terminal : Selected Gold on Contact Area, Gold Flash on Solder Tails, Both Over 50u" Min. Ni Under-plated Overall
- Order Information :**



Part No.	Dim.	Dim.A	Dim.B	Dim.C
XSB0-01132-00TX		7.5	11.5	14.45
XSB0-01142-00TX		10.0	14.0	18.95
XSB0-01152-00TX		12.5	16.5	19.45
XSB0-01162-00TX		15.0	19.0	21.95
XSB0-01172-00TX		17.5	21.5	24.45
XSB0-01182-00TX		20.0	24.0	26.95
XSB0-01192-00TX		22.5	26.5	29.45
XSB0-011A2-00TX		25.0	29.0	31.95

DIMENSION IN mm [inch]		All connectors		Title	
Tolerance unless otherwise specified		www.allconnectors.com TOLL FREE 1-800-368-5727 1/250 11/07/2002 10:00 AM		2.5mm Pitch Battery Conn. Female Type	
X.	± 0.38	X'	± 10'	Dwg No.	OSB0-01102-00T0
X.X	± 0.20	X.X'	± 5'	File No.	N/A
X.XX	± 0.13	X.XX'	± 2'	Approve:	Check:
X.XXX	±			Draw:	Tom 04/22/2005



Scale: 4 : 1
 Size: A4
 Rev : C
 Sheet: 1 / 1