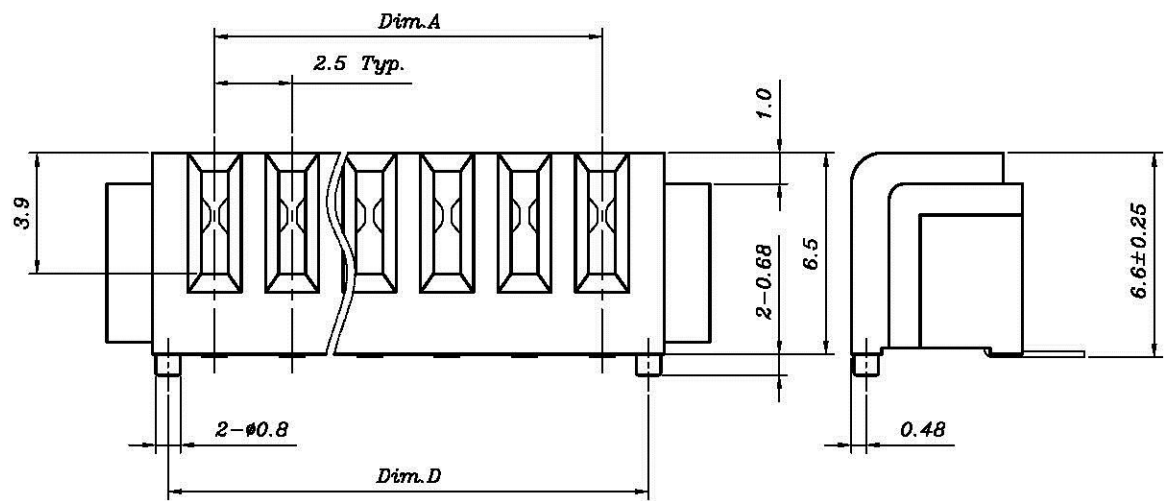
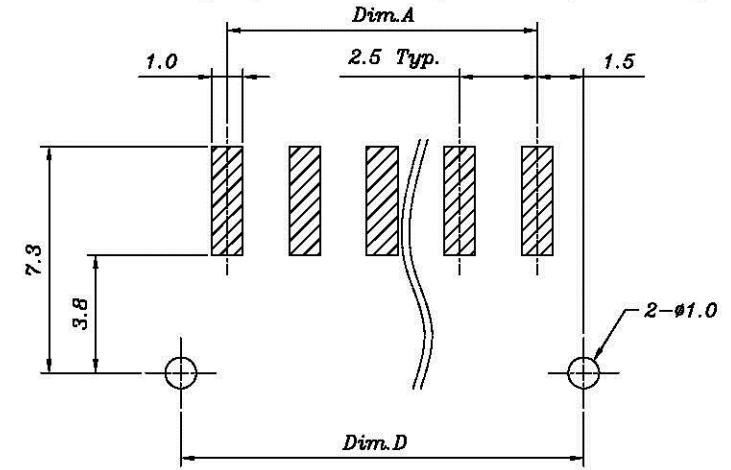
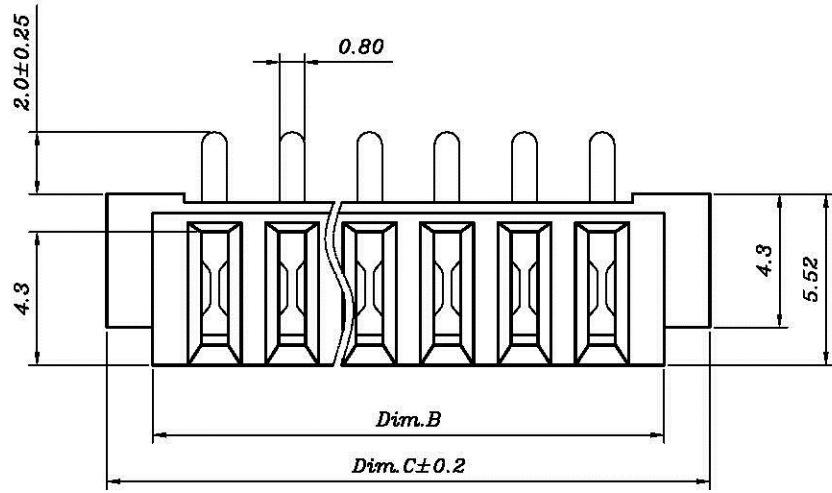


1 2 3 4 5 6 7

REV	MODIFICATION	DATE	DRAW	APPROVE
A	New Release	05/31/2005	Tom	Giordano



Recommended P.C.B. Layout
 Layout Tolerance = ± 0.05 mm

- Notes :**
- Material :**
 Housing : Thermoplastic , UL 94V-0
 Terminal : Copper Alloy
 - Finish :**
 Terminal : Selected Gold on Contact Area, Gold Flash on Solder Tails, Both Over 50µ" Min. Ni Under-plated Overall
 - Order Information :**

X SBO-010 X D-00T X

- T :** Lead Free
N/A : Normal
- Amount of Pins**
 3 : 3 Pins
 5 : 5 Pins
 8 : 8 Pins
- Plating**
 2 : 2µ" Min. Gold on Contact Area
 3 : 5µ" Min. Gold on Contact Area
 5 : 15µ" Min. Gold on Contact Area
 8 : 30µ" Min. Gold on Contact Area

Part No.	Dim.	Dim.A	Dim.B	Dim.C	Dim.D
XSB0-0103D-00TX	5.0	9.0	11.95	8.0	
XSB0-0104D-00TX	7.5	11.5	14.45	10.5	
XSB0-0105D-00TX	10.0	14.0	16.95	13.0	
XSB0-0106D-00TX	12.5	16.5	19.45	15.5	
XSB0-0107D-00TX	15.0	19.0	21.95	18.0	
XSB0-0108D-00TX	17.5	21.5	24.45	20.5	
XSB0-0109D-00TX	20.0	24.0	26.95	23.0	
XSB0-010AD-00TX	22.5	26.5	29.45	25.5	

DIMENSION IN mm [inch]			Title 2.5mm Pitch Battery Conn. Female Type	
Tolerance unless otherwise specified				
X.	± 0.38	X'	± 10'	CUSTOMER DRAWING
X.X	± 0.20	X.X'	± 5'	
X.XX	± 0.13	X.XX'	± 2'	
X.XXX	±			
Approve:		Check:		Dwg No. OSBO-0100D-00T0 File No. N/A
		Draw: Tom		Scale: 4 : 1 Size: A4 Rev : A Sheet: 1 / 1

1 2 3 4 5 6 7 WC00-4A